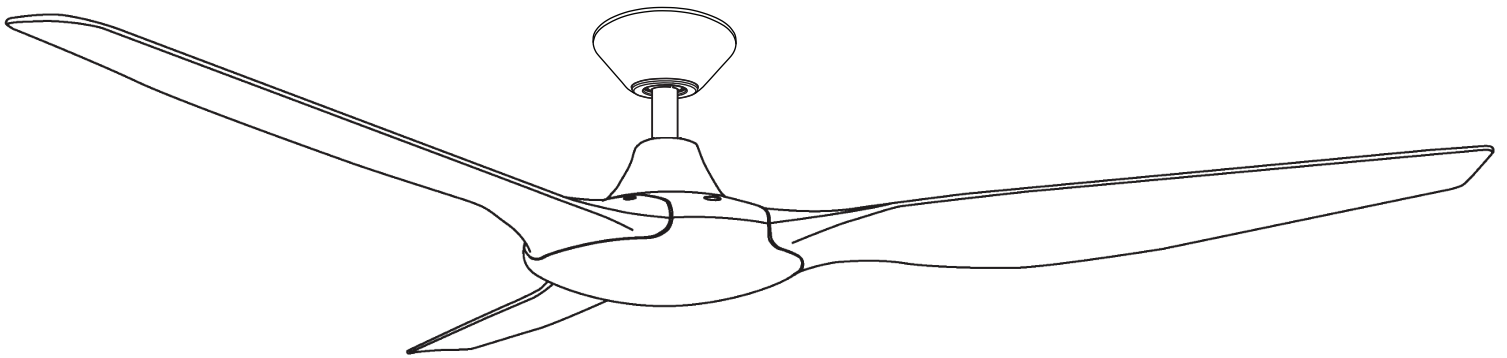


ThreeSixty
C E I L I N G F A N S



The Delta

56" / 142cm DC Ceiling Fan

Model No. DEL56**

Net Weight: 5.9 kg

Gross weight: 7.6 kg

Owner's Manual

Please read and keep these instructions as they contain assembly, warranty, maintenance and service information.

Version: 1.0
Date: June 2020

ThreeSixty Ceiling Fans

Fan Technology That's Innovative and Reliable

ThreeSixty Ceiling Fans is proud of its range of ceiling fans, accessories and lighting products. We believe these are the leading products in their category, reflecting over 40 years collective Australian experience in design, development, manufacturing and distribution of electronics and electrical equipment.

The Delta series of fans are decorator style DC motor powered ceiling fans intended to operate for long periods and provide strong airflow under the fan and in its vicinity.

The tough, stable, high impact polymer blades and robust low-energy DC motor combine to produce excellent performance and stylish good looks.

Our manufacturing is subject to strict quality control and we back our products with a plain-English warranty. Any problem caused by a fault in the product will be fixed or replaced with the least possible inconvenience.

We welcome feedback and suggestions. By listening to our customers we aim to continuously improve our products and services.

Electricians and installers:

We are here to help you. Please call our support line if you have any questions or need assistance with installing or wiring the product.

Customers and purchasers:

Please call us if you have any questions about your fan or would like advice on the best way to use your fan to save energy.

ThreeSixty Fans Support can be contacted by calling **1300 469 326**, visiting our website at **<https://360fans.com.au>** or emailing our team at **support@360fans.com.au**

Important Safety Instructions

WARNING: To avoid fire, shock and serious personal injury, follow these instructions.

1. Read your owner's manual and safety information before installing your new fan. Review the accompanying assembly diagrams.
2. Before servicing or cleaning unit, switch power off at fuse box / circuit breaker and lock box (disconnecting means to prevent power from being switched on accidentally).
3. Be careful of the fan and blades when cleaning, painting, or working near the fan. Always turn off the power to the ceiling fan before servicing.
4. Do not insert anything into the fan blades while the fan is operating.
5. Do not operate reversing switch until fan blades have come to a complete stop.
6. Do not dispose of electrical appliances as unsorted municipal waste, use separate collection facilities.
7. Contact your local government for information regarding the collection systems available.
8. If electrical appliances are disposed of in landfills or dumps, hazardous substances can leak into the groundwater and get into the food chain, damaging your health and well-being.
9. This appliance is not intended for use by persons (including children) with reduced physical, sensory or mental capabilities, or lack of experience and knowledge, unless they have been given supervision or instruction concerning use of the appliance by a person responsible for their safety.
10. Children should be supervised to ensure that they do not play with the appliance.

Additional Safety Instructions

1. To avoid possible shock, be sure electricity is turned off at the fuse box before wiring, and do not operate fan without blades.
2. All wiring and installation procedures must comply with AS/NZS 3000 Wiring Rules and any other local regulations. The ceiling fan must be grounded as a precaution against possible electrical shock. Electrical installation **must be made by a licensed electrician**.
3. The fan base must be securely mounted and capable of reliably supporting at least **four times the weight of the ceiling fan**. The installation and replacement of the suspension system must be completed by the manufacturer, its service agent or a suitably qualified person.
4. The fan must be mounted with the fan blades at least 2.1 meter (lowest edge) from the floor to comply with safety regulations and to prevent accidental contact with the fan blades.
5. Follow the recommended instructions for the proper method of wiring this ceiling fan.
6. **This fan must be installed with an isolation switch or a device to disconnect all poles.**

WARNING: This product is designed to use only those parts supplied with this product and/or accessories designated specifically for use with this product. Using parts and/or accessories not designated for use with this product will void your warranty and could result in personal injury or property damage.

WARNING: To reduce the risk of personal injury, do not bend the blade bracket (flange or blade holder) when installing the brackets, balancing the blades, or cleaning the fan. Do not insert foreign objects in between rotating fan blades.

WARNING: This fan MUST be installed with an easily accessible isolating device to disconnect all poles of the fan from the main supply.

WARNING: If unusual oscillating movement is observed, immediately stop using the ceiling fan and contact the manufacturer, its service agent or suitably qualified persons.



IMPORTANT: This product must be installed by a licensed electrician and comply with AS/NZS 3000 Wiring Rules and any other local regulations.

Supplied parts

- One fan DC motor assembly
 - One hanger bracket fitted with terminal block
 - One top canopy, boss cover and dress ring
 - One set of blades
 - One screw pack
 - One installation booklet
 - One remote control with preset remote receiver
-

Tools and materials required

- Phillips screwdriver
- Blade screwdriver
- Small electrical screwdriver
- Electrical pliers
- Step ladder
- Wiring supplies as required by current electrical practices
- In-line crimps or other suitable connectors if an extension rod in excess of 760mm (30 inches) is to be fitted - wiring loom(s) included with accessories

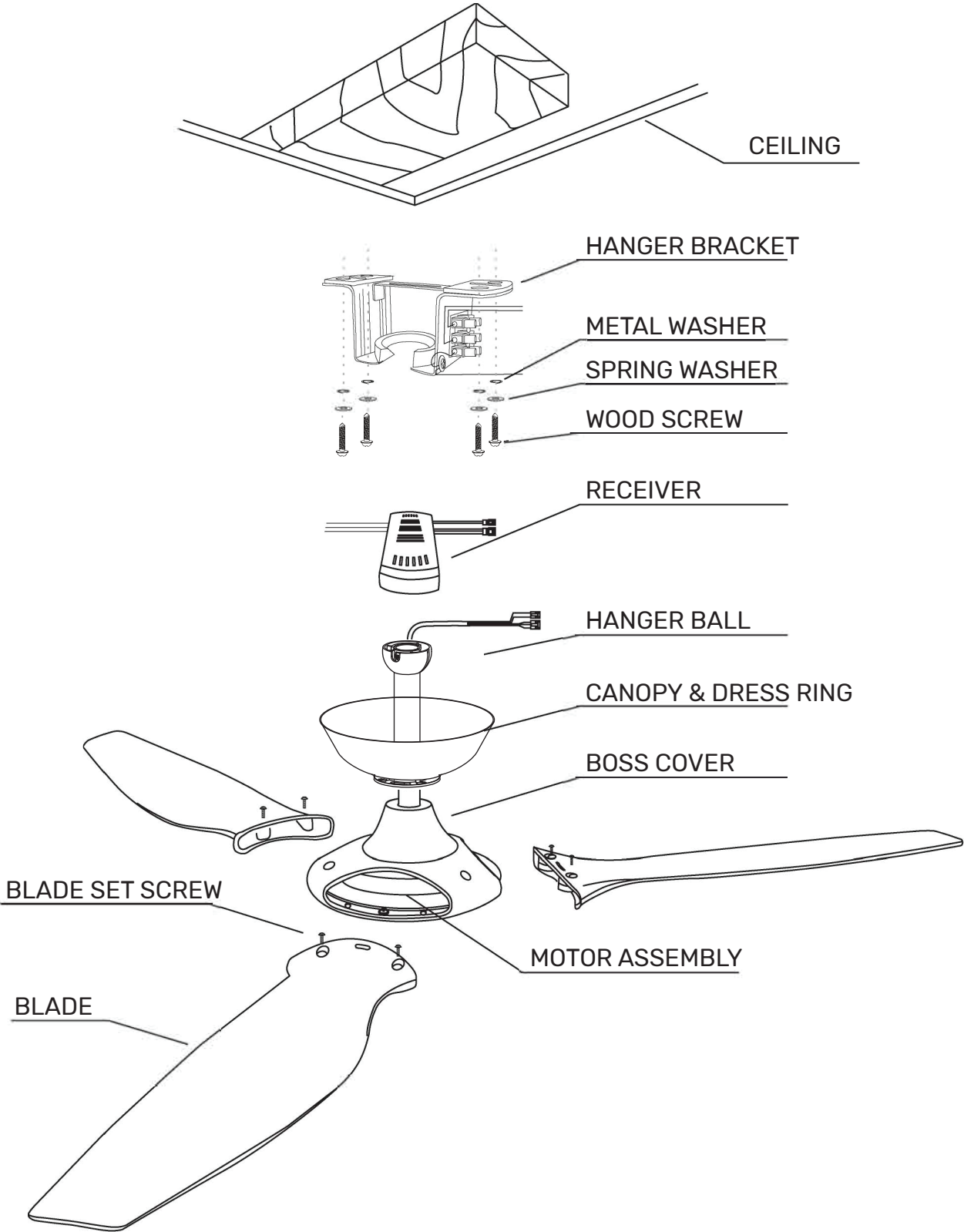
Before starting the assembly and installation of your fan please ensure the safety instructions have been read and understood.

Installation issues, missing or damaged parts

If you have any difficulty installing your fan or if you are unfortunate enough to find that your fan has been dispatched with parts missing or damaged, please contact our help line on 1300 469 326. We will provide help and/or replacement parts to you immediately.

In any communication with us please quote your model number and finish (colour) of the unit, along with as much information on the missing or damaged part(s) as possible.

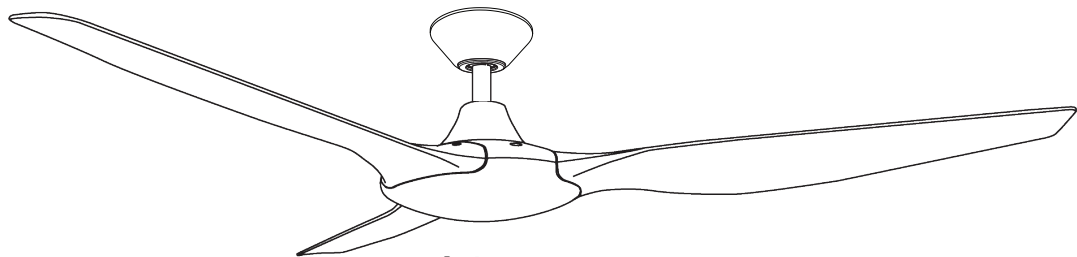
Exploded Fan View & Parts



Installing the fan

All electrical work should only be undertaken after disconnection of the power by removing fuses or turning off the circuit breaker to ensure all poles isolation of the electrical supply.

Your fan is a drop rod fan (**Picture A**) In this situation the drop rod assembly is used to lower the fan down from it's mounting position slightly. For higher ceilings longer downrods are available with an extension loom included.

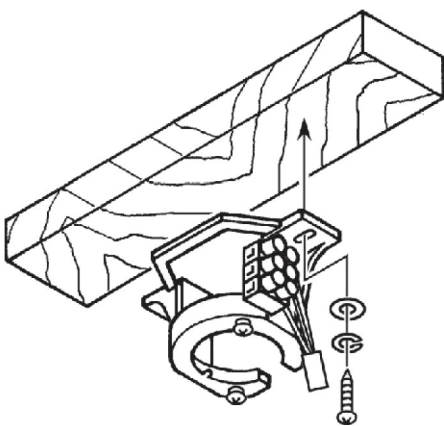


Picture A

The following steps will guide you to a successful installation:

1. Hanger bracket installation
2. Assembling and installing the blades
3. Seat downrod into hanger bracket
4. Insert remote receiver into hanger bracket
5. Remote control installation and wiring

1. Hanger bracket installation



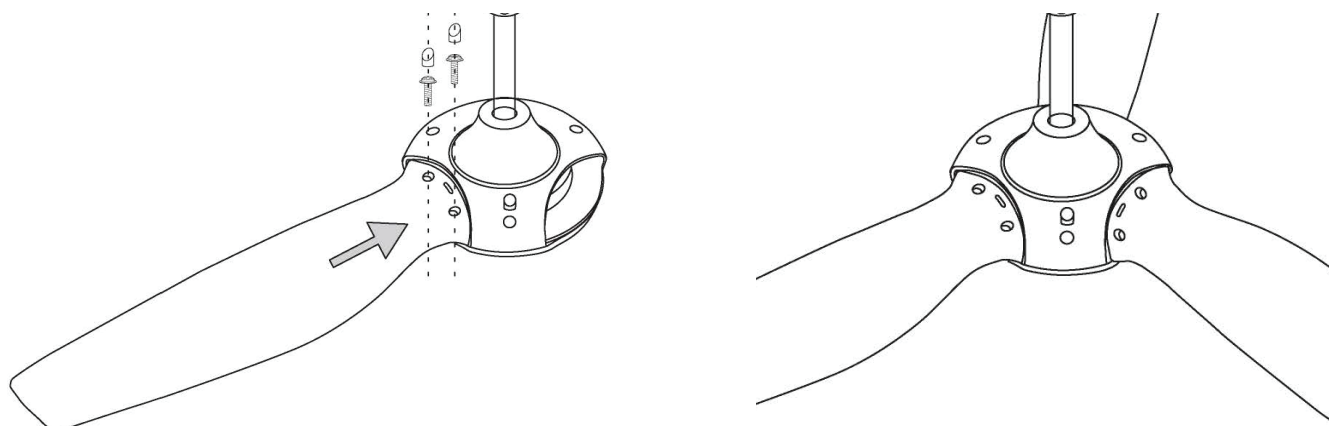
The hanger bracket should be screwed on to a firm flat surface. The fixing location must be able to withstand four times the static weight of the fan. If you have any doubts as to the ability of your intended fixing location to be able to withstand this loading, please contact our service help-line or another competent authority to advise you. In most situations two wood screws screwed into a wooden joist is more than adequate to support your ceiling fan.

The hanger bracket should be screwed onto the joist with the two wood screws provided. Fixings must screw into a joist and not just the plasterboard.

2. Assemble and install the fan blades

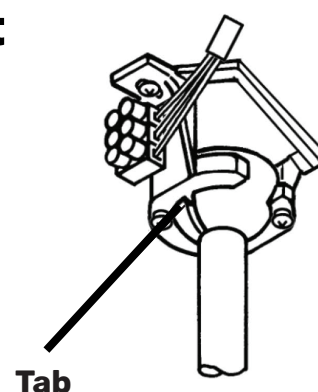
Carefully unwrap the blades and attach the blades to the fan motor. Align the blade with the holes on top of motor. Use the screws and metal washers provided to connect them. The metal round washer should go on top of the blade between the head of the screw and the surface of the blade.

IMPORTANT - The fan blades slot together using a locator point on each blade. Take the first blade and attach it to the fan motor using the 2 screws and washers provided. Please make sure the screws are fully tightened.



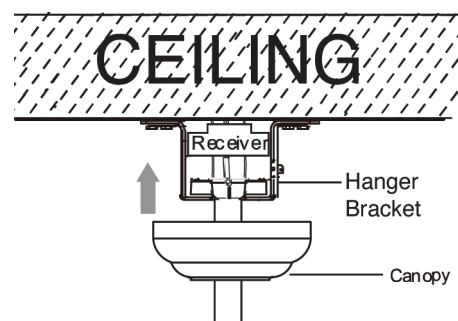
3. Seat downrod into hanger bracket

Carefully lift the fan and seat the down rod ball assembly on the hanger bracket. Be sure the groove in the ball is lined up with tab on the hanger bracket. Do not pinch wires between the ball and down rod assembly and hanger bracket.



4. Insert remote receiver

Slide the remote control receiver module into the gap in the hanger bracket as shown. Carefully store wiring in the excess space. Beware of pinching wires.



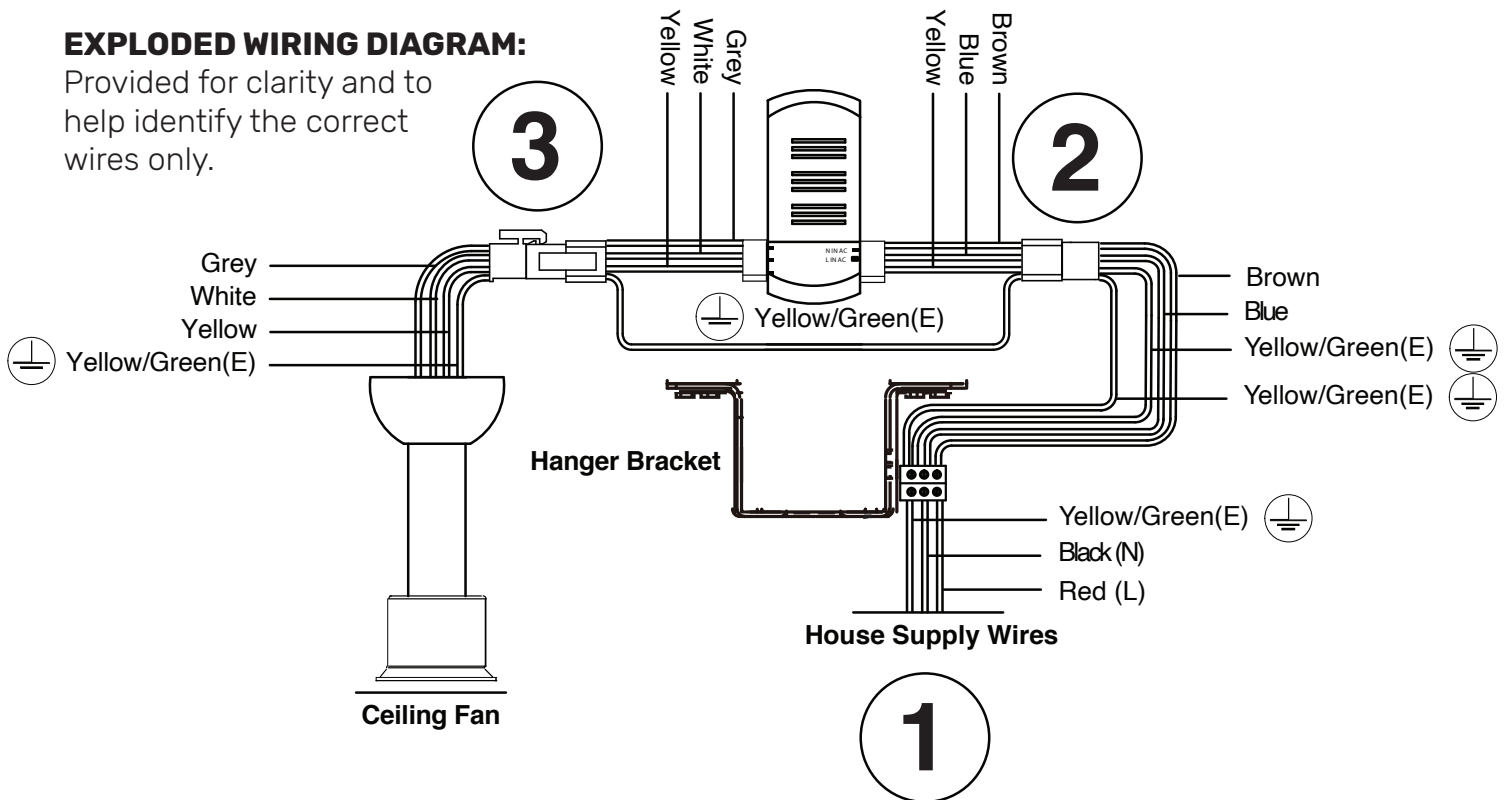
5. Remote control installation and wiring

WIRING INSTRUCTIONS: Ensure power is safely isolated before attempting any wiring.

Your fan is supplied with a radio frequency remote control unit and the fan can only be controlled by remote control. **IMPORTANT** - This appliance must be earthed.

EXPLODED WIRING DIAGRAM:

Provided for clarity and to help identify the correct wires only.



Step 1: Connect AC Power Supply to Terminal Block

Connect the AC household power supply wires from the ceiling to the Hanger Bracket's terminal block. Connect the **RED** active wire to the connection labeled 'L'. Connect the **BLUE** neutral wire to the connection labeled 'N'. Connect the **YELLOW/GREEN** earth wire to the connection labeled with the **Earth** symbol.

Step 2: Connect Terminal Block to Receiver

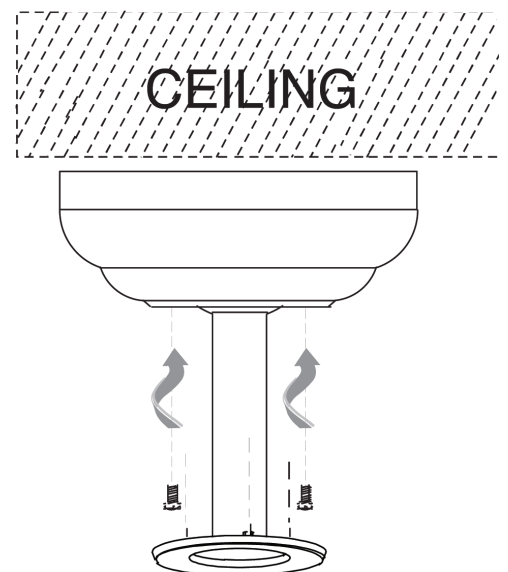
Connect the 4 pin female plug coming from the remote receiver with the male plug coming from the hanger bracket terminal block.

Step 3: Connect Receiver to Ceiling Fan

Connect the 4 pin male plug coming from the remote receiver with the 4 pin female plug coming from the ceiling fan.

Step 4: Fit the ceiling canopy

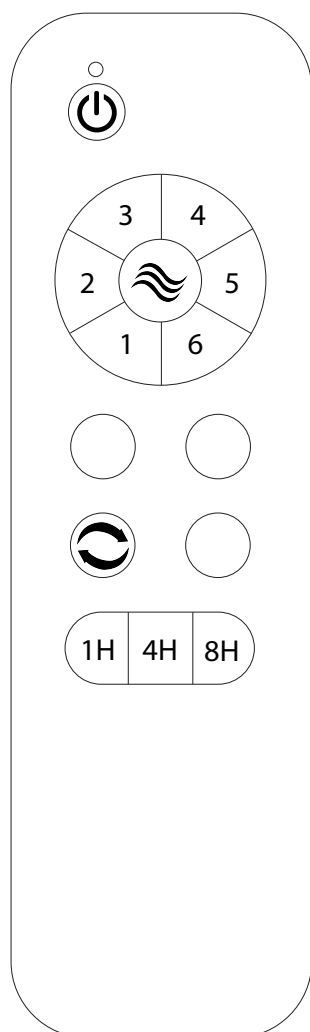
Fit the ceiling canopy to the hanger bracket by fastening the 2 screws. The canopy should NOT touch the ceiling - ensure a gap exists all the way around.



Step 5: Set dress ring

Lift the canopy dress ring over the screws and center accordingly. The dress ring will be engaged and held by magnet.

Operating the handset (transmitter)



Battery Replacement:
2x 1.5V AAA

Fan On/Off button

Fan Speed: Press and release immediately to turn on and set fan speeds. Number 6 is the highest speed and Number 1 is the lowest.



Natural Wind mode: Fan speed changes within its range creating a gentle sea-breeze effect.



Reverse button: Press and release immediately to set fan direction.



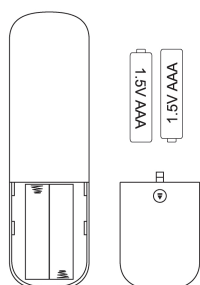
The fan will turn off after 1 hour automatically.



The fan will turn off after 4 hours automatically.

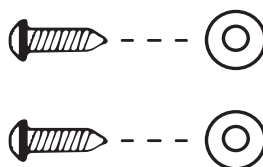


The fan will turn off after 8 hours automatically.



Installing wall mounted holder

Attach wall mounted remote holder using the two screws provided.



Learning / Pairing Setup

The handset and remote control receiver module are pre-programmed at the factory and do not normally require pairing. Should they not function when first installed, or you wish to control 2 fans using 1 handset, or you need to pair a replacement handset please follow the below procedure.

1. Ensure that AC power is isolated to the ceiling fan.
2. Restore AC power to the fan. Within 30 seconds PRESS and HOLD the Fan Power button for 5 seconds.
3. The remote control receiver module will beep twice to indicate the pairing process was successful.

Caring for and operating your remote control

Ensure the batteries are correctly installed in the hand piece. Please allow a moment between each switching operation. Please handle the transmitter with care, be sure not to drop or expose it to water, high humidity or place it too close to a heating element. Improper handling may result in malfunction and void the warranty. The remote control is operated by Radio Frequency so it isn't necessary to point the unit at the ceiling fan.

Blade balancing

Whilst every precaution is taken at the factory to ensure your fan is of the highest quality, imbalance may occur. This may be due to slight irregularities in the blades or material densities. Further problems can be caused by deviating from these instructions.

The following procedure may help to rectify the situation.

1. The hanger bracket must always be tight against the ceiling so that no movement can occur.
 2. Make sure that the downrod is firmly locked into the hanger ball on top of the fan. The locking screw should be securely tightened.
 3. Check all the blades are firmly tightened onto the motor.
 4. Changing over two adjacent blades - may correct any imbalance causing wobble.
 5. Please note that drop rod style of fans have a slight level of movement but this is not dangerous. Longer drop rods may amplify the amount of wobble.
-

Care and cleaning

The motor has permanently sealed bearings so no lubrication is necessary.

Periodic cleaning of your new fan is recommended (particularly the blades). The plated or painted surfaces of your fan have been sealed with a lacquer to minimize any discoloration or tarnishing. Therefore use a soft brush or lint free cloth to avoid scratching the surface.

Do not use water or chemicals when cleaning your fan as this could damage the surfaces of the casing and the blades and may create the possibility of an electric shock.

ThreeSixty Fans - Plain English Warranty Terms

SHOULD THERE BE ANY INSTALLATION ISSUES OR DEFECTS PLEASE IMMEDIATELY CALL OUR SUPPORT HELP LINE ON 1300 469 326 FOR ASSISTANCE AND ADVICE. DO NOT ATTEMPT TO UNINSTALL OR REMOVE THE PRODUCT FROM THE CEILING UNLESS SPECIFICALLY ADVISED TO BY THREESIXTY FANS AS THIS WILL CAUSE DELAYS DIAGNOSING AND RESOLVING THE ISSUE.

Our goods come with guarantees that cannot be excluded under the Australian Consumer Law. You are entitled to a refund or replacement for a major failure and for compensation for any other reasonably foreseeable loss or damage. You are also entitled to have the goods repaired or replaced if the goods fail to be of acceptable quality and the failure does not amount to a major failure.

Mechanical and Structural Components

Your Product is covered against mechanical and structural defects that prevent it from working by a limited 36 month on-site warranty. This warranty covers only the product itself and excludes workmanship or materials related to its installation or any modifications. A major failure may be, for example, a motor defect preventing a product from operating shortly after it was first installed or if it was damaged while in the original packaging. If the product stops working due to a mechanical or structural defect within the first 36 months we will repair or replace the product at our discretion.

Electronic Components

Your Product is covered against electronic defects that prevent it from working by a limited 12 month on-site warranty. This warranty covers only the electronics supplied with the product and excludes workmanship or materials related to its installation or any modifications. A major failure may be, for example, a power module that failed shortly after it was first installed or if it was damaged while in the original packaging. If the product stops working due to an electronic defect within the first 12 months we will repair or replace the electronic part at our discretion.

Compensation for reasonably foreseeable loss

Compensation normally comprises us paying associated labour costs to replace the defective product if it's installed within a reasonable distance from our repair agent. If beyond a reasonable distance (30km) you can arrange your own electrician and we will compensate you for this up to a maximum of \$115.50 inc GST. Note, we do not pay extra for extended travelling time or additional costs when the job requires a longer than average time to complete.

To prevent or limit costs you may incur for service calls, you must notify us of the intention to use your own contractor and *not engage one until we have spoken to them* (to arrange parts that may be required). **If the problem is not a defect covered by our warranty terms you will have to pay all costs.** To reduce cost and inconvenience for all involved we will do our best to diagnose the fault and supply parts before the contractor visits the site.

Eligibility for In-Home Service Calls

Hard wired electrical products must (by law) be installed by a licensed electrician. To obtain in-home warranty service **you must be able to provide a copy of the installing electricians invoice or the Certificate of Compliance given to you when the product was first wired up and tested.** If you cannot provide this information we limit our warranty to repair or replacement of the product at our workshop and you will bear the costs of removal, shipping to us and reinstallation. We will pay the freight to send the rectified unit back to you.

Access to products

Products installed on ceilings 4m and above may require special access equipment or WH&S measures. All costs for this equipment must be borne by the site owner and the ceiling height given when booking a service call. If a service agent chooses not to access a product installed at height due to WH&S concerns the owner must remove and reinstall the product at their own expense.

Isolation Switches

Australian Standards require our instructions to state an isolation switch must be fitted. This allows the product to be physically switched off in case of faults or to prevent damage from surges, lightning, etc. Emergency disconnection and/or remote control re-programming that can't be performed due to lack of an isolation switch is not covered by warranty.

ThreeSixty Fans - Plain English Warranty Terms

Commencement

The warranty period begins from date of purchase and in-home warranty service is available only at the site of original installation. If the product is installed as part of a project or development the warranty period commences when the product was delivered to the site.

Damage

Damage from Force Majeure, electrical surges, wind, rain, lightning, power grid fluctuations, water ingress, condensation or use with incompatible power sources will not be rectified under warranty. Likewise solid state or dimmer type speed controls may damage ceiling fans or cause them to make unusual noises. Genuine parts and advice are available through our online and telephone support services.

Cosmetic defects

Carefully inspect your product prior to installation and notify us as soon as possible if there are cosmetic defects. Cosmetic defects are generally not covered by warranty unless present when the product is initially unpacked. Damage from being struck by objects or not being kept clean is not covered by warranty.

Corrosion

Deterioration of finishes, including rusting, pitting, corrosion, fading, tarnishing or peeling is not covered by warranty beyond six months. Products specified as corrosion resistant or made from Stainless Steel are not corrosion proof and will discolour or deteriorate if not cleaned. As a guide, maintain your product as you would your kitchen appliances (clean every 3 months).

Noise

Signals sent through the power grid by the electricity supplier may cause intermittent noises in your product. These noises are not the result of a fault and filters to reduce this noise may be available at additional expense.

Clicking, ticking and creaking noises from fans are usually caused by the mounting bracket not being correctly attached or when blades screws are loose. Only use the hardware provided to install ceiling fans. If the mounting bracket is attached using counter-sunk screws it will work loose and cause unwanted noise and movement in your fan. Wooden bladed fans may need their blade screws periodically tightened. Unless a product is defective noise will not be rectified under warranty.

Wobbling

Wobbling is generally not caused by a defective fan but by air currents in the room. After a fan has been running for a long period it will cause air currents to form and, depending on the shape of the room and its furnishings, the air returning to the fan may be uneven.

Improper mounting will also cause a fan to wobble. Every mounting bracket screw must be secured to solid materials in the ceiling. Metal C section rafters may need to be doubled to form a box section to prevent flexing. Foam sandwich ceiling panels will require reinforcing to stop flexing. Unless a product is defective wobbling will not be rectified under warranty.

Airflow

The amount of airflow produced by a fan is dependent on where it's installed because room shape, mounting height and furnishings will affect the perceived air movement. A product is deemed to be functioning normally if it is running within 15% of the specified RPM when installed.

Purchase Date: _____

Seller Name: _____

Product Model: _____

Installed By: _____

License Number: _____

Contact number: _____

Light Model: _____

Remote Control: _____

Ceiling Height: _____

Isolation Switch: Yes No