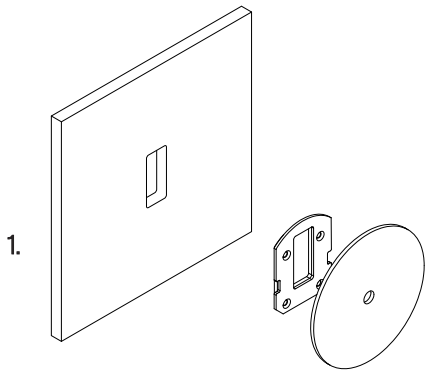




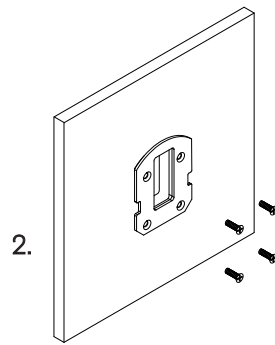
WALL BRACKET INSTALLATION

Installation Instructions

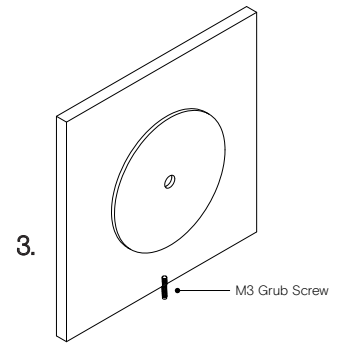


1. Prep the wall with an hole match the wall plate cutout. Secure the transformer into the wall cavity and feed the cable through the hole into the room. Connect the single electrified cable to the transformer.

*The transformer needs to be accessible for maintenance purposes.



2. Screw the mounting plate to the wall using appropriate fasteners for the wall substrate.



3. Fit the circular wall plate over the mounting plate and secure with the supplied M3 grub screw at the bottom of the plate.

Dimensions

