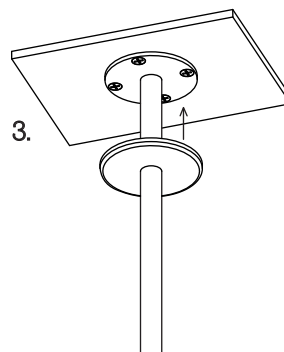
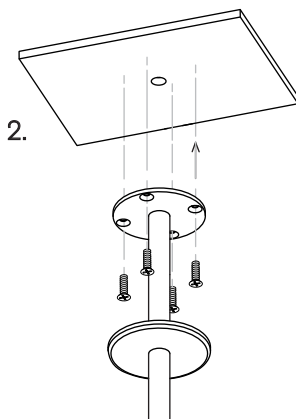
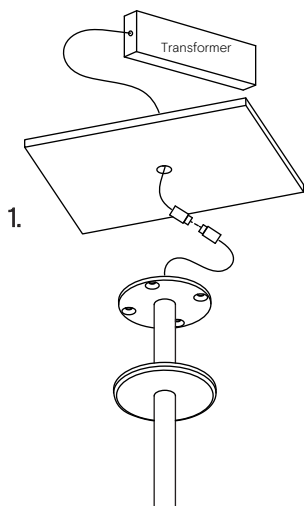




# 70mm MAGNET CEILING PLATE

## Installation Instructions



1. Prep the ceiling with an approx. 5-15mm hole. Place the transformer in the ceiling and feed the cable through the hole into the room. Connect the single electrified cable to the transformer.

2. Screw the mounting plate to the ceiling using appropriate fasteners for the ceiling substrate.

3. Secure the magnetic cover plate onto the mounting plate.

\*The transformer needs to be accessible for maintenance purposes.

## Dimensions

