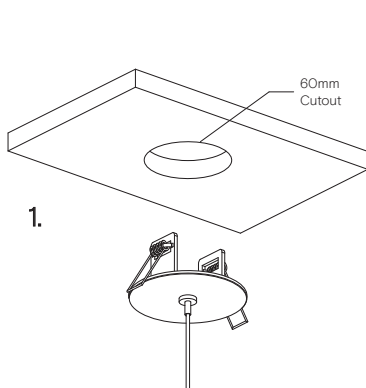




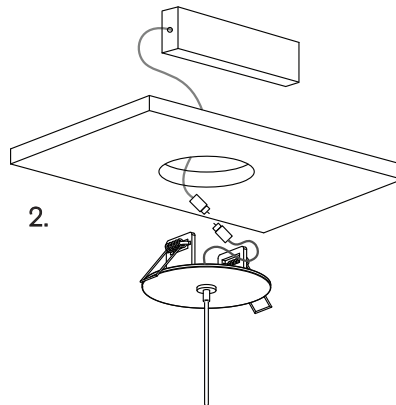
FD-81 CEILING PLATE

Installation Instructions



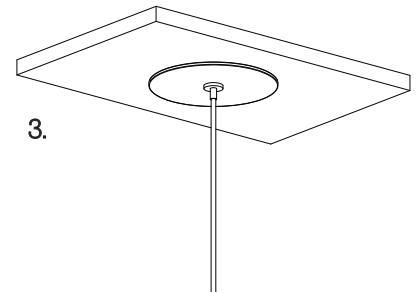
Prepare ceiling with a 60mm diameter hole.

Plate size: $\varnothing 81 \times 3\text{mm}$



Connect the single electrified cable to the driver.

*The transformer needs to be accessible for maintenance purposes.



Flip up springs and fit through 60mm hole.
Release springs to secure plate around ceiling substrate. (Maximum weight loading 1kg)

*Push up the metal cable gripper on the mounting plate to adjust the cable length.