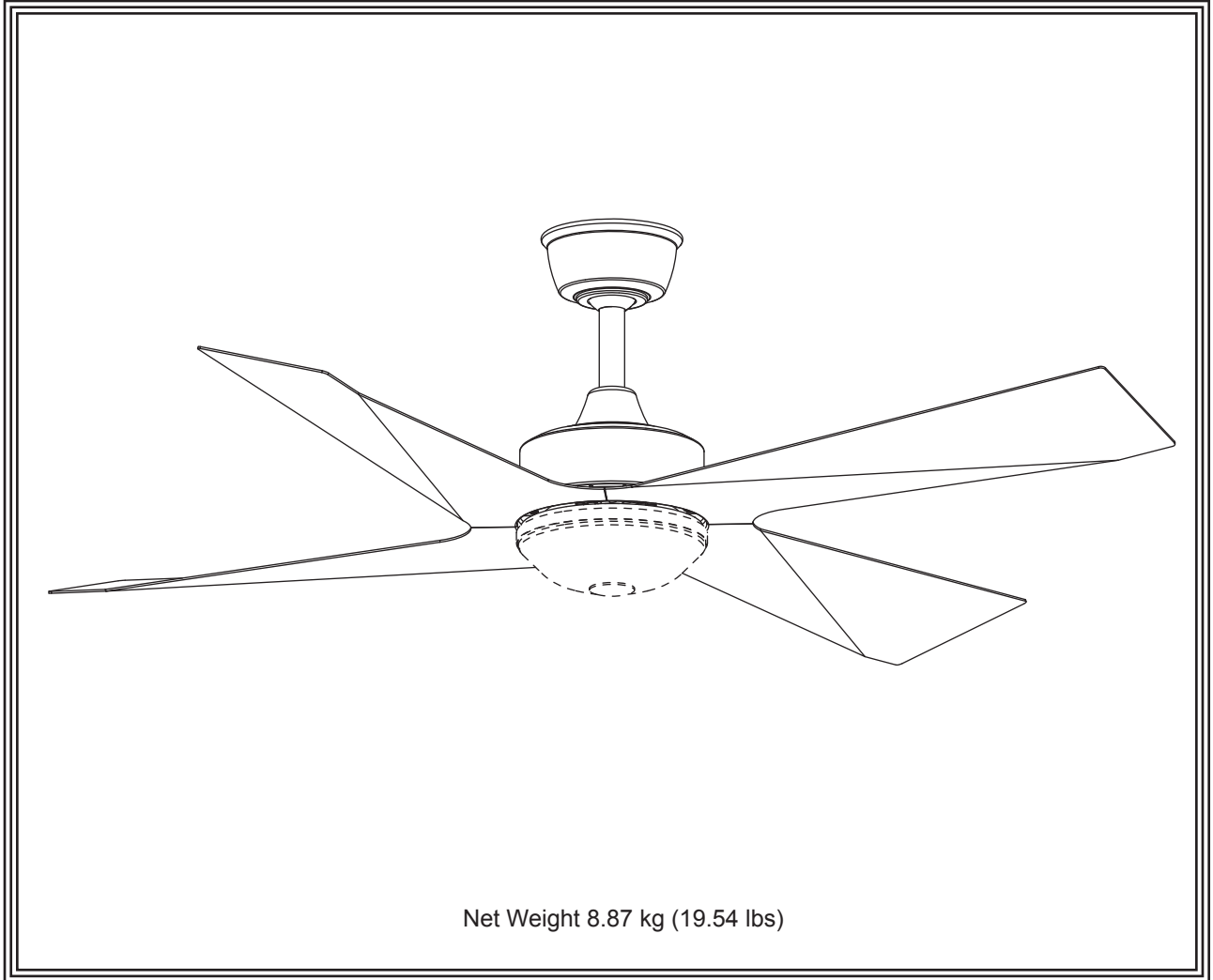


The Modn-4TM

Ceiling Fan



Model No. FP6722AU**

OWNER'S MANUAL
READ AND SAVE THESE INSTRUCTIONS

Important Safety Instructions

WARNING: To avoid fire, shock and serious personal injury, follow these instructions.

1. Read your owner's manual and safety information before installing your new fan. Review the accompanying assembly diagrams.
2. Before servicing or cleaning unit, switch power off at service panel and lock service panel disconnecting means to prevent power from being switched on accidentally. When the service disconnecting means cannot be locked, securely fasten a warning device, such as a tag, to the service panel.
3. Be careful of the fan and blades when cleaning, painting, or working near the fan. Always turn off the power to the ceiling fan before servicing.
4. Do not insert anything into the fan blades while the fan is operating.
5. Do not operate reversing switch until fan blades have come to a complete stop.
6. Do not dispose of electrical appliances as unsorted municipal waste, use separate collection facilities.
7. Contact your local government for information regarding the collection systems available.
8. If electrical appliances are disposed of in landfills or dumps, hazardous substances can leak into the groundwater and get into the food chain, damaging your health and well-being.
9. This appliance is not intended for use by persons (including children) with reduced physical, sensory or mental capabilities, or lack of experience and knowledge, unless they have been given supervision or instruction concerning use of the appliance by a person responsible for their safety.
10. Children should be supervised to ensure that they do not play with the appliance.

Additional Safety Instructions

1. To avoid possible shock, be sure electricity is turned off at the fuse box before wiring, and do not operate fan without blades.
2. All wiring and installation procedures must comply with AS/NZS 3000 Wiring Rules and any local regulations. The ceiling fan must be grounded as a precaution against possible electrical shock. Electrical installation **must be made by a licensed electrician**.
3. The fan base must be securely mounted and capable of reliably supporting at least 27kg. See page 4 of owner's manual for support requirements.
4. The fan must be mounted with the fan blades at least 2.1 meter from the floor to prevent accidental contact with the fan blades.
5. Follow the recommended instructions for the proper method of wiring this ceiling fan.
6. **This fan is not suitable for use with solid state controllers.**

WARNING: This product is designed to use only those parts supplied with this product and/or accessories designated specifically for use with this product. Using parts and/or accessories not designated for use with this product will void your warranty and could result in personal injury or property damage.

WARNING: To reduce the risk of personal injury, do not bend the blade bracket (flange or blade holder) when installing the brackets, balancing the blades, or cleaning the fan. Do not insert foreign objects in between rotating fan blades.

WARNING: This fan **MUST** be installed with an easily accessible isolating device to disconnect all poles of the fan from the main supply. The contact distance in all poles must be 3mm minimum.



Table of Contents

Unpacking Instructions	3	Final Fan Assembly	8
Energy Efficient Use of Ceiling Fans	4	Maintenance	8
Electrical and Structural Requirements	4	Blade Cleaning	8
How to Hang This Ceiling Fan	5	Parts List	9
How to Wire This Ceiling Fan	6	Exploded-View Illustration	10
Installing the Canopy Housing	7	Trouble Shooting	11
Assemble the Ceiling Fan Blades	7	Light Kit Optional	12

This manual is designed to make it as easy as possible to assemble, install, operate, and maintain this ceiling fan

Tools Needed for Assembly

- One Phillips head screwdriver (supplied)
- One stepladder
- One small blade screwdriver
- One wire stripper

Materials

Wiring and connectors must be of type required by local regulations. The minimum wire would be a 3-conductor (2-wire with ground).

▲ WARNING

This fan must be installed by a licensed electrician.

Unpacking Instructions

For your convenience, check-off each step. As each step is completed, place a check mark. This will ensure that all steps have been completed and will be helpful in finding your place should you be interrupted.

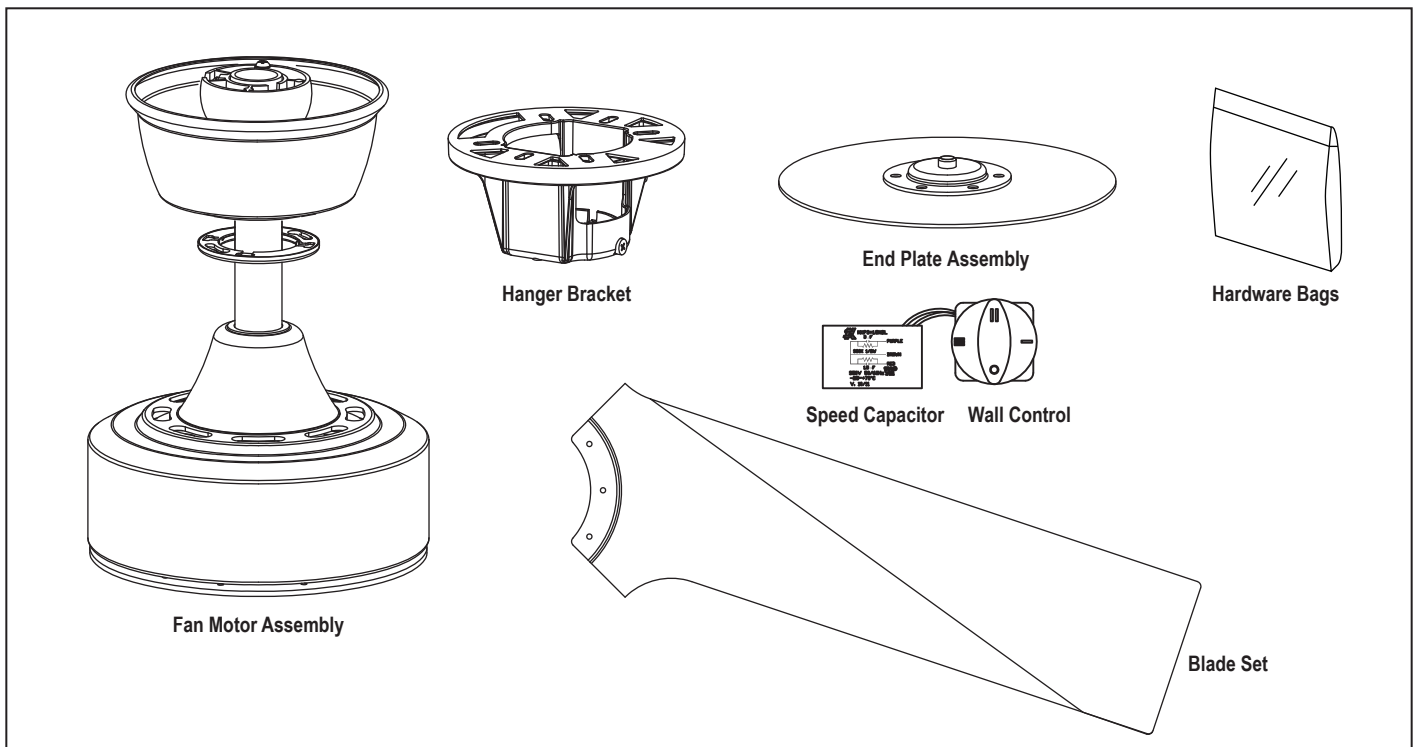
▲ WARNING

Do not install or use fan if any part is damaged or missing. This product is designed to use only those parts supplied with this product and/or any accessories designated specifically for use with this product. Substitution of parts or accessories not designated for use with this product could result in personal injury or property damage. IF ANY PART IS DAMAGED OR MISSING, CALL: 1300 469 326

- Fan Motor Assembly
- Hanger Bracket
- End Plate Assembly
- Blade Set
- Wall Control
- Speed Capacitor
- Hardware bags:
 - 3/16"-24 screws with lock washer & flat washers (blade to fan motor flywheel)
 - Phillips Screwdriver, 10 cm
 - Hex Washer Phillips Head Tapping Screws Ø4.8
 - #8-32 Pan Head Screws
 - Flat Washers
 - External Tooth Washer
 - Spring Washer

1. Check to see that you have received the following parts:

NOTE: If you are uncertain of part description, refer to exploded view illustration. (Figure 1, page 10)



Energy Efficient Use of Ceiling Fans

Ceiling fan performance and energy savings rely heavily on the proper installation and use of the ceiling fan. Here are a few tips to ensure efficient product performance.

Choosing the Appropriate Mounting Location

Ceiling fans should be installed, or mounted, in the middle of the room and at least 2.1 m above the floor and 50 cm from the walls. If ceiling height allows, install the fan 2.4-2.7 m above the floor for optimal airflow.

Turn Off When Not in the Room

Ceiling fans cool people, not rooms. If the room is unoccupied, turn off the ceiling fan to save energy.

Using the Ceiling Fan Year Round

Summer Season: Use the ceiling fan in the counter-clockwise direction. The airflow produced by the ceiling fan creates a wind-chill effect, making you “feel” cooler. Select a fan speed that provides a comfortable breeze, lower speeds consume less energy.

Winter Season: Reverse the motor and operate the ceiling fan at low speed in the clockwise direction. This produces a gentle updraft, which forces warm air near the ceiling down into the occupied space. Remember to adjust your air conditioner when using your ceiling fan-additional energy and dollar savings could be realized with this simple step!

Electrical and Structural Requirements

This new ceiling fan will require a grounded electrical supply line of 220-240 volts AC, 50 Hz circuit. The hanger bracket must be securely anchored and capable of supporting a load of least 27kg. If your fan is to replace an existing ceiling light fixture, turn electricity off at the main fuse box at this time and remove the existing light fixture. Figure 1 depicts a typical structural configuration that may be used for securely mounting the fan.

⚠ WARNING

This fan must be installed by a licensed electrician.

⚠ WARNING

Turning off wall switch is not sufficient. To avoid possible electrical shock, be sure electricity is turned off at the main fuse box before wiring. All wiring must be in accordance with AS/NZS 3000 “The Wiring Rules” and the ceiling fan must be properly grounded as a precaution against possible electrical shock.

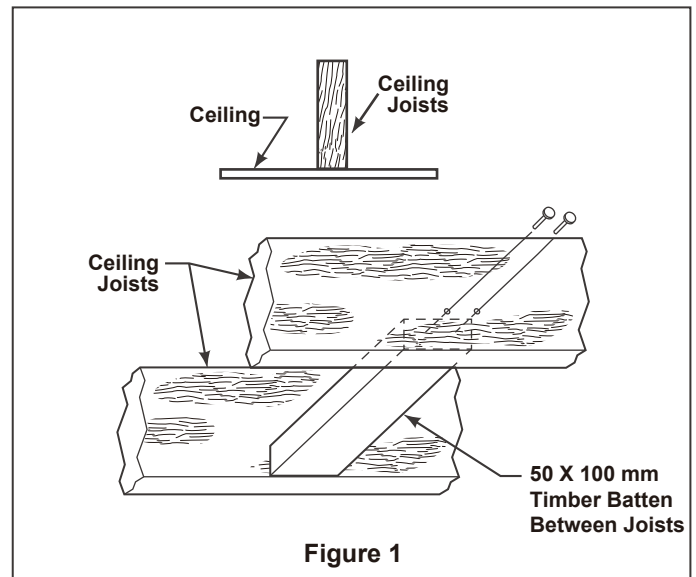
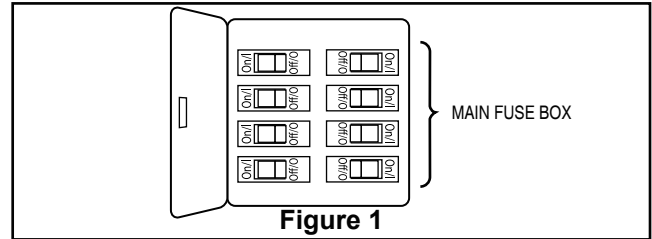


Figure 1

How to Hang This Ceiling Fan

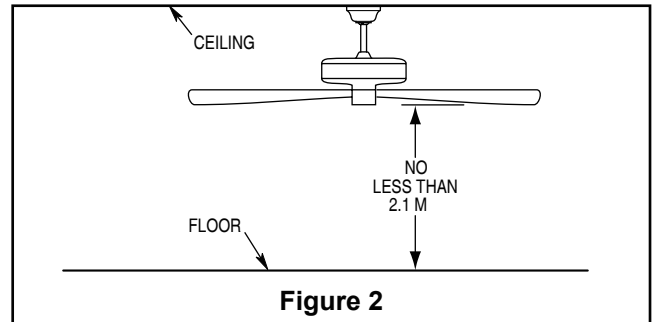
⚠ WARNING

To avoid possible fire or shock, be sure electricity is turned off at the main fuse box before wiring. (Figure 1)



⚠ WARNING

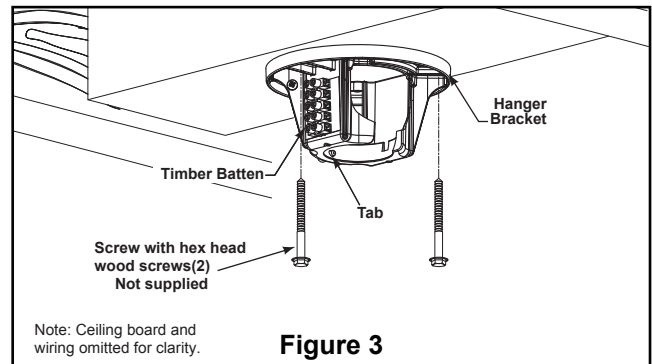
The fan must be hung with at least 2.1m of clearance from floor to blades. (Figure 2)



1. Drill a hole in the ceiling board and batten for wiring. Securely attach the hanger bracket to a timber batten or other structural support using appropriate fasteners. (Figure 3)

⚠ WARNING

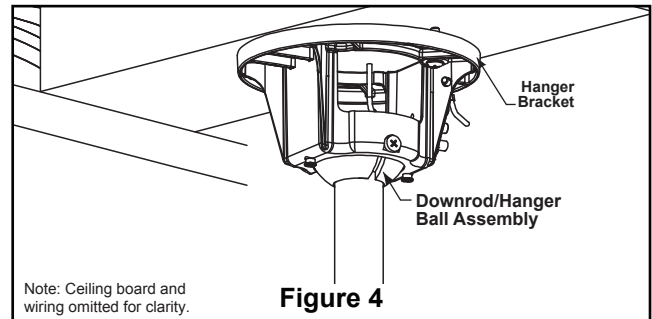
The hanger bracket must be securely mounted and capable of supporting at least 27 kg. If bracket and /or timber batten are not securely attached, the fan could wobble or fall.



2. Carefully lift the fan and seat the downrod/hanger ball assembly on the hanger bracket that was just attached to the timber batten. Be sure the groove in the ball is lined up with tab on the hanger bracket. (Figure 4)

⚠ WARNING

Failure to seat tab in groove could cause damage to electrical wires and possible shock or fire hazard.



⚠ WARNING

To avoid possible shock, do not pinch wires between the hanger ball assembly and the hanger bracket.

How to Wire This Ceiling Fan

Ceiling fans must be installed by a licensed electrician.

⚠ WARNING

To avoid possible fire or shock, be sure electricity is turned off at the main fuse box before wiring. (Figure 1)

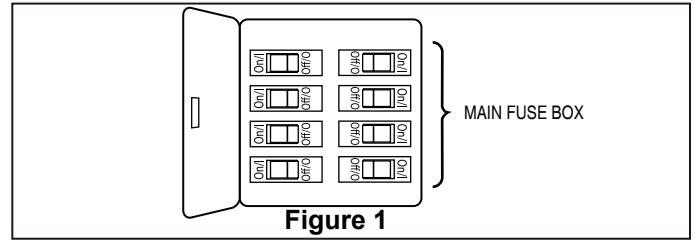


Figure 1

- Securely attach the 9-pin connector from the hanger bracket to the wire harness socket of hanger ball. (Figure 2)

INSTALLATION NOTE: If light fixture is NOT required, terminate the black (Neutral) and red (Active) light wire.

Installing Wall Control (Rotary) Switch

- With electrical power still disconnected, install fan switch control wiring to desired location on wall.
- Ensure wiring connections are as shown in Fig 2. The Active (Red) supply wire must be connected to terminal "C" on the rotary switch. Return switched wire to ceiling fan to be connected from terminal "1" on the rotary switch to "L" terminal on the connector block.
- Fit the wall control (rotary) switch to a face plate (not supplied) and attach to wall.

INSTALLATION NOTE: The "O" and the small corner cut-out on the front of the switch mechanism must be at the top and top left respectively (See Figure 3).

IMPORTANT: Fan installation must be completed, including the installation of the fan blades, before testing of the controls.

- Restore electrical power to the ceiling fan by turning the electricity on at the main fuse box.

- Check the operation of the fan by rotating the control through the four positions marked 0 - III ("0" position is OFF) (Figure 4).

- All fans are shipped from the factory with the reverse switch positioned to circulate air downward. If airflow is desired in opposite direction, turn your fan OFF and wait for the blades to stop turning, then slide the reversing switch to the opposite position, and turn fan on again.

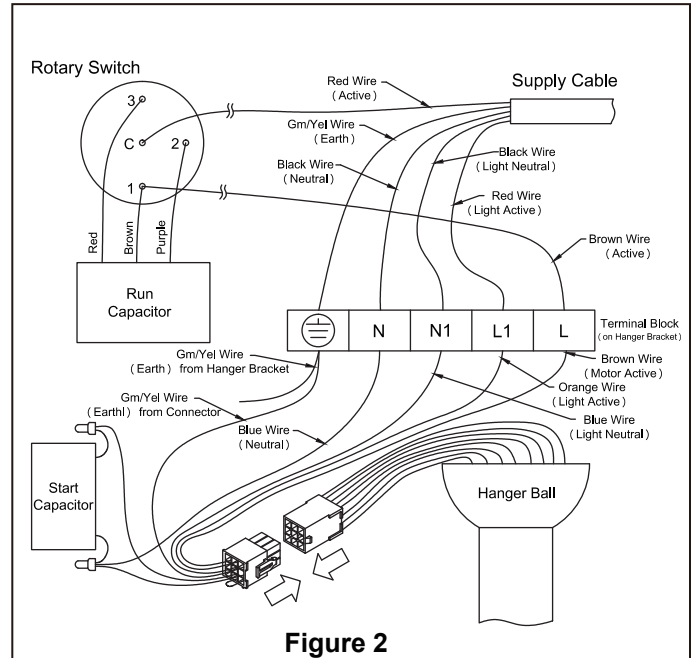


Figure 2

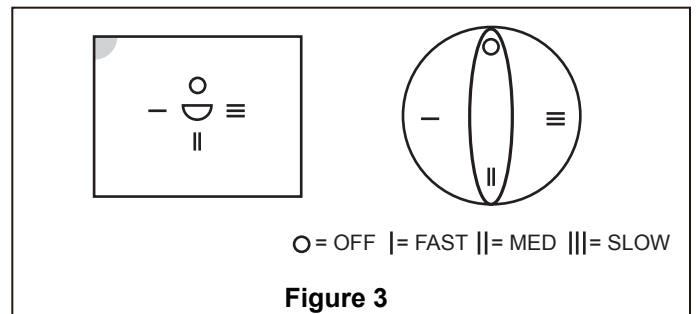


Figure 3

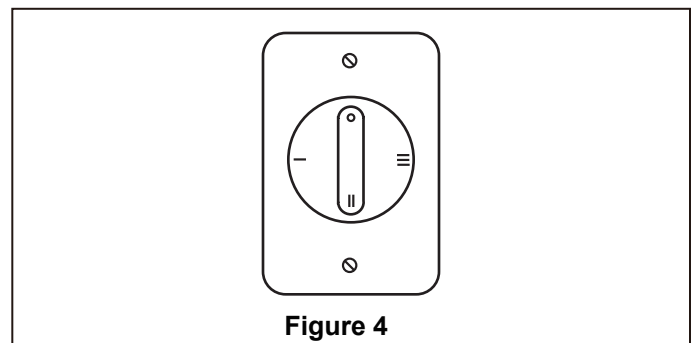


Figure 4

⚠ WARNING

Check to see that all connections are tight, including earth, and that no bare wire is visible at the wire connectors, except for the earth wire. Do not operate fan until the blades are in place. Noise and motor damage could result.

Installing the Canopy Housing

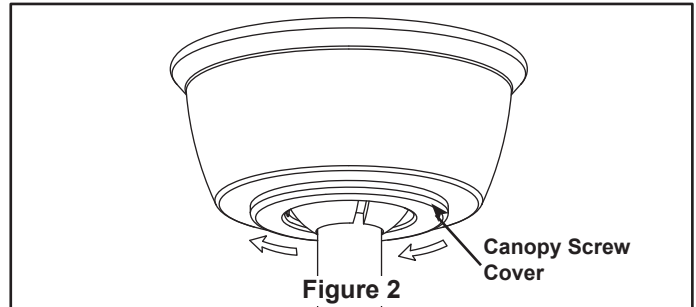
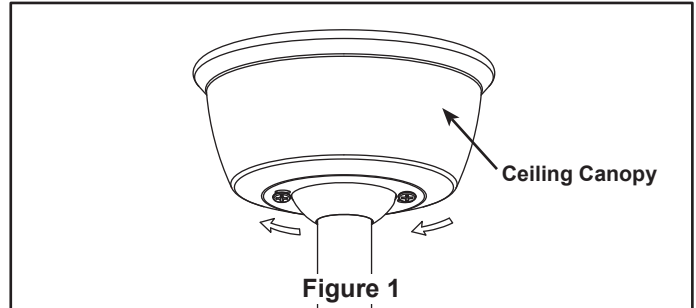
NOTE: This step is applicable *after* the necessary wiring is completed.

- 1. Loosen the two shoulder screws without fully removing it in the hanger bracket. Assemble canopy by rotating key slots in canopy over shoulder screws in hanger bracket. Tighten all the shoulder screws. (Figure 1)

▲ WARNING

To avoid possible fire or shock, make sure that the electrical wires are completely inside the canopy housing and not pinched between the housing and the ceiling.

- 2. Securely attach and tighten the canopy screw cover over the shoulder screws in the hanger bracket utilizing the keyslot twist-lock feature. (Figure 2)



Assemble the the Ceiling Fan Blades

INSTALLATION NOTE

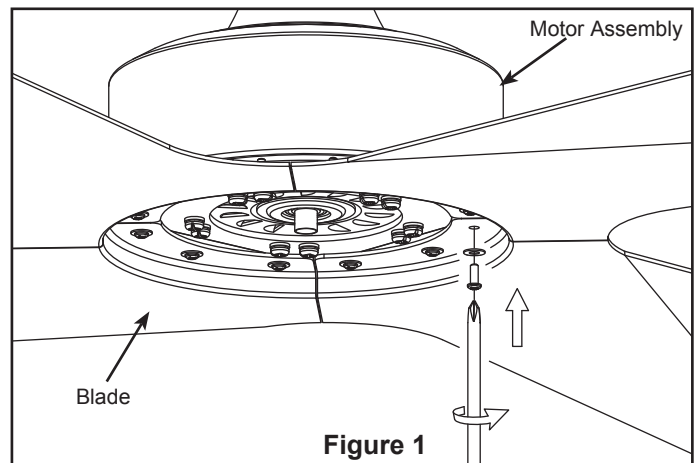
Do not connect fan blades until the fan is completely installed. Installing the fan with blades assembled may result in damage to the fan blades.

▲ WARNING

To reduce the risk of personal injury, do not bend the blades when installing, balancing or cleaning the fan. Do not insert foreign objects in between the rotating blades.

- 1. Secure the blades to the flywheel using the 3/16"-24 screws with flat washers through the holes located on the bottom of the flywheel of motor assembly. (Figure 1)

NOTE: Periodically check blade holder hardware and resecure if necessary.



HARDWARE USED:

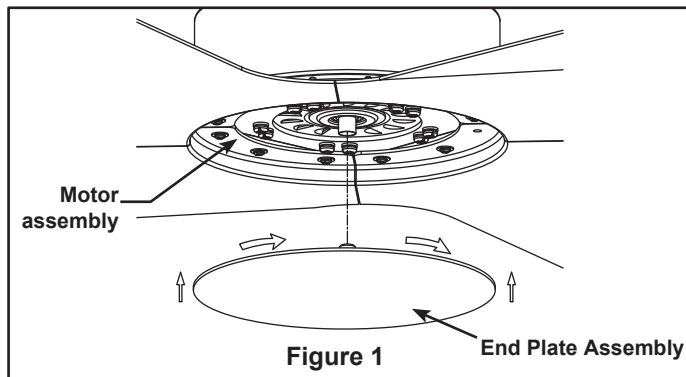
3/16"-24
SCREWS  x 12

FLAT WASHER  x 12

Final Fan Assembly

1. If you want to install the end plate assembly and not the light kit. Assemble the end plate assembly to the motor assembly by twisting in a clockwise direction. (Figure 1)

NOTE: If you are installing the fan along with the Linea 4 Light Kit (sold separately), disregard the step and refer to the light kit's instruction manual for how to complete assembly.



Maintenance

Periodic cleaning of your new ceiling fan is the only maintenance that is needed.

When cleaning, use only a soft brush or lint free cloth to avoid scratching the finish.

Abrasive cleaning agents are not required and should be avoided to prevent damage to finish.

CAUTION

Do not use water when cleaning your ceiling fan. It could damage the motor or the blades and create the possibility of electrical shock.

Blade Cleaning

Periodic light dusting of the blades is recommended.

Avoid using water, cleansers, or harsh rags, which can warp and ruin the blades.

Parts List

Model FP6722**AU

Ref. #	Description	Part #
1	Hanger Bracket Assembly with Screws	AP255BL-6722AU
2	Motor Assembly	AMA6722**AU
2a	Ball Downrod Assembly	ADR1-6**-220
2b	Canopy	P672210**
2c	Canopy Screw Cover Assembly	AP260**
2d	Motor Coupler Cover Assembly	APPAC1402**
2e	Motor Housing Assembly	AP6722**AU
3	Blade Set	AP672204**
4	End Plate Assembly	AP672205**
5	Wall Control	W06-018
6	Speed Capacitor	CAP039017-450AU
7	<i>Blade Mounting Hardware Bag Containing:</i>	HDWFP6722**AU
	3/16"-24 Screws with lock washers (13)	
	Flat Washers (13)	
	Phillips Screwdriver, 10 cm	
	<i>Hanger Bracke Mounting Hardware Bag Containing:</i>	
	Hex Washer Phillips Head Tapping Screws Ø4.8	
	#8-32 Pan Head Screws (2)	
	Flat Washers (2)	
	External Tooth Washer (2)	
	Spring Washer (2)	

***Insert FINISH CODES (Refer to fan model number located on downrod support)*

Before discarding packaging materials, be certain all parts have been removed

How To Order Parts

When ordering repair parts, always give the following information:

- Part Number
- Part Description
- Fan Model Number

For repair parts:

Phone 1300 469 326

The Modn-4™ Model FP6722**AU Exploded-View

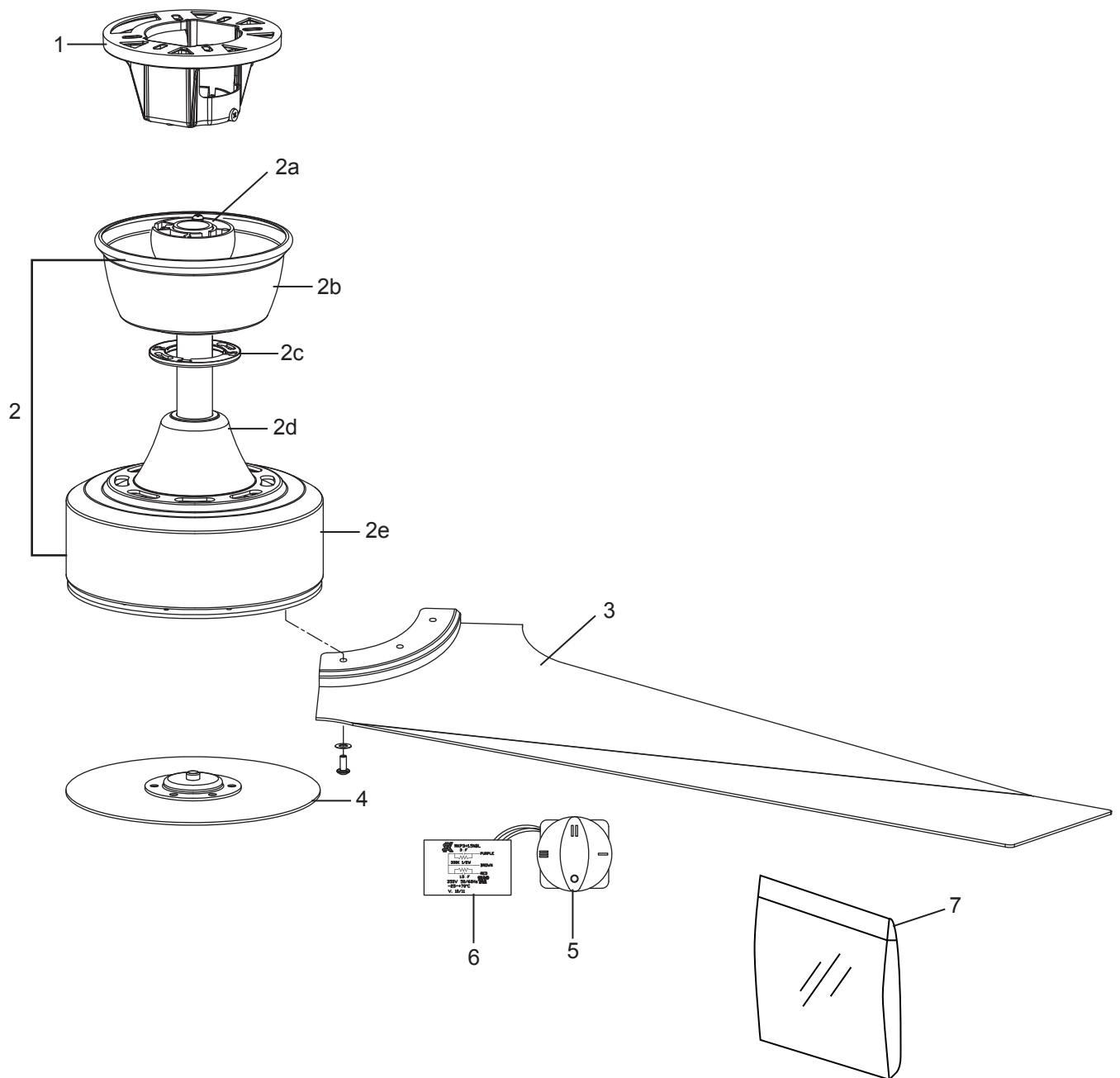


Figure 1

NOTE: The illustration shown is not to scale or its actual configuration may vary.
Product/parts are subject to change without notice.

Trouble Shooting

⚠ WARNING

For your own safety, turn off power at fuse box or circuit breaker before trouble shooting your fan. Some suggested remedies require the attention of a licensed electrician.

Trouble	Probable Cause	Suggested Remedy
1. FAN WILL NOT START	<ol style="list-style-type: none"> 1. Fuse or circuit breaker blown. 2. Loose power line connections to the fan, or loose switch wire connections in the switch housing. 3. Reversing switch in neutral position. 	<ol style="list-style-type: none"> 1. Check main and branch circuit fuses or circuit breakers. 2. Check line wire connections to fan and switch wire connections in the switch housings. <p>CAUTION: Make sure main power is turned off !</p> <ol style="list-style-type: none"> 3. Make sure reversing switch position is all the way to one side.
2. FAN SOUNDS NOISY	<ol style="list-style-type: none"> 1. Blades not attached to fan. 2. Loose screws in motor housing. 3. Screws securing fan blade to motor assembly are loose. 4. Lower housing support set screw loose. 	<ol style="list-style-type: none"> 1. Attach blades to fan before operating. 2. Check to make sure all screws in motor housing are snug (not over-tight). 3. Check to make sure the screws which attach the fan blade to the motor assembly are tight. <p>CAUTION: Make sure main power is turned off !</p> <ol style="list-style-type: none"> 4. Tighten set screw securely.
3. FAN WOBBLER EXCESSIVELY	<ol style="list-style-type: none"> 1. Setscrew in downrod support is loose. 2. Setscrew in downrod/hanger ball assembly is loose. 3. Screws securing fan blade to motor assembly are loose. 4. Hanger bracket and/or ceiling timber batten is not securely fastened. 	<ol style="list-style-type: none"> 1. Tighten both setscrews securely in downrod support. 2. Tighten the setscrew in the downrod/hanger ball assembly. 3. Check to make sure the screws which attach the fan blade to the motor assembly are tight. 4. Tighten the hanger bracket screws to the timber batten, and secure outlet box.
4. NOT ENOUGH AIR MOVEMENT	<ol style="list-style-type: none"> 1. Typically, airflow can be increased by lowering fan blades further from ceiling using a longer downrod. 	<ol style="list-style-type: none"> 1. If possible, consider using a longer downrod. Please be aware that blades must be at least 2.1 m above floor level.

Modn-4 Ceiling Fan Light Kit Installation Instructions

READ AND SAVE THESE INSTRUCTIONS

For Fan Model FP6722** AU

Weight: 0.95 kgs (2.09 lbs)

NOTE: Ceiling fan light kits are only meant to be used with ceiling fans. Do NOT install as a light fixture.

NOTE: All wiring and installation procedures must comply with AS/NZS 3000 Wiring Rules and any local regulations.

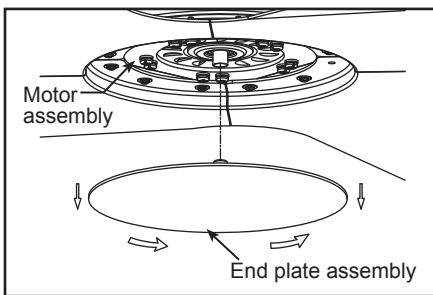
The ceiling fan must be properly grounded as a precaution against possible electrical shock. Electrical installation must be made by a licensed electrician.

CAUTION: Turning off wall switch is not sufficient. To reduce the risk of fire and electrical shock, be sure electricity is turned off at the main fuse box to the fan before installing the light kit.

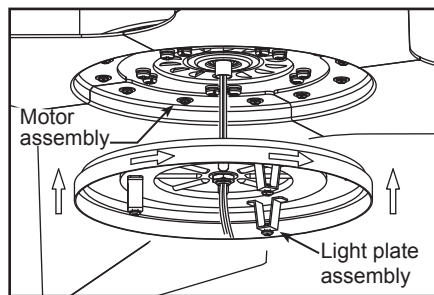
CAUTION: To reduce the risk of fire and electric shock, this light kit should be used only with suitable fan model.

⚠WARNING: To reduce the risk of fire or electric shock, do not use this fan/light kit with any solid-state speed control device.

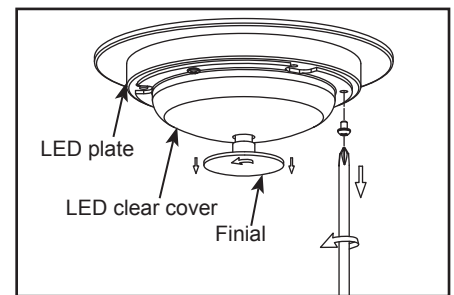
⚠WARNING: To avoid possible fire or shock, make sure that the electrical wires are completely inside the fan housing.



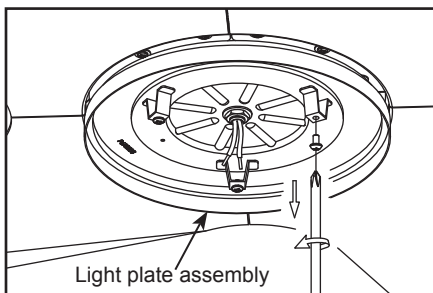
1. Remove the end plate assembly from the motor assembly by twisting in the counter-clockwise direction.



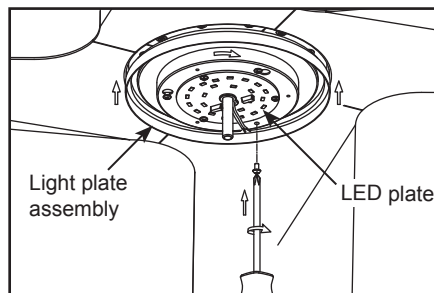
2. First pull out light wire lead and remove the shrinkable sleeve then through the hole in the light plate assembly. Assemble the light plate assembly to the support bracket of the motor assembly by twisting in a clockwise direction.



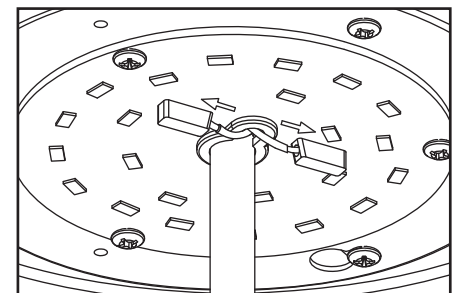
3. First remove the finial and disassemble the LED clear cover from the LED plate by removing three screws. Retain the removed screws for Step 7.



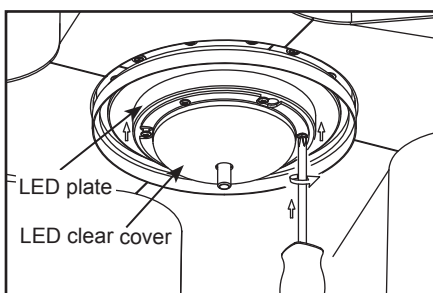
4. Remove one of the three screws in the light plate assembly and retain the removed screw for next step. Slightly loosen the remaining two screws.



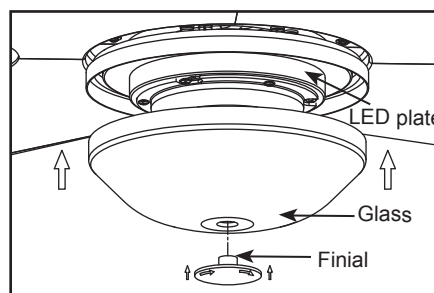
5. Assemble the LED plate to light plate assembly using the two key slots. Replace the third screw and securely tighten all three screws.



6. Push end of light wire into either connector on the LED plate. Repeat with other wire to other connector.



7. Reassemble the LED clear cover to LED plate using the previously removed screws.



8. Place glass into position and secure with finial by twisting in a clockwise direction. Do not over-tighten.

CAUTION

The light source is designed for this specific application and can overheat if serviced by untrained personnel. If any servicing is required, the product should be returned to an authorized service facility for examination or repair.

