

ThreeSixty
C E I L I N G F A N S

The Trinity™



**48" (TRI48) & 56" (TRI56)
Series DC Motor with Polymer
Blades (Light Adaptable)**

Operation & Installation Instructions

Please read and keep these instructions because they contain warranty, maintenance and service information

ThreeSixty Ceiling Fans Fan Technology that's Innovative and Reliable

ThreeSixty Fans is proud of its range of ceiling fans, accessories and lighting products. We believe these are the leading products in their category, reflecting over 40 years collective Australian experience in design, development, manufacturing and distribution of electronics and electrical equipment.

The Trinity series are decorator style DC motor powered ceiling fans intended to operate for long periods and provide strong airflow under the fan and in their vicinity.

The tough, stable, high impact polymer blades and robust, low-energy DC motor combine to produce excellent performance and stylish good looks.

Our manufacturing is subject to strict quality control and we back our products with a plain-English warranty. Any problem caused by a fault in the product will be fixed with the least possible inconvenience.

We welcome feedback and suggestions. By listening to our customers we aim to continuously improve our products and services.

Important Safety Information

Read your owner's manual and safety information before using or installing your new fan.

Beware of fan blades when cleaning, painting or working near the fan.

Always turn off power at the isolation switch before working on ladders near the fan.

Never allow children to play with the remote control.

Batteries may be hazardous to young children. Keep the remote control out of their reach.

This appliance is not intended for use by persons (including children) with reduced physical, sensory or mental capabilities, or lack of experience and knowledge, unless they are supervised or been given instruction concerning use of the appliance by a person responsible for their safety.



DO NOT LIFT CHILDREN ABOVE YOUR HEAD WHEN NEAR CEILING FANS

Safety Instructions for Installers

Always switch off power at the switch board and never work on live circuits.

An isolation switch serving this fan must be fitted in an easily accessible location.

Isolation switches require a contact separation of 3mm in both poles or as required by the Wiring Rules.

The lowest edge of the fan blades must be at least 2.1m above floor level

The mounting surface and structure must be capable of supporting 27 kg of dead weight.

This fan is NOT suitable for use with ANY other type of remote control, wall control or solid state controller

WARNING: This is a permanent magnetic DC motor fan. Use only the controllers and parts supplied with the fan or supplied by ThreeSixty as genuine accessories or genuine replacement parts. Modifications, other than down rod length, can lead to loss of warranty, safety certification, reduced life, incorrect operation or fire.

This fan is not weather proof. If installed outdoors, to avoid electric shock, do not spray water on this fan. It must also be protected from rain, wind and moving objects such as plants or decorations.

If mounted where strong breezes are likely the fan can wobble or swing around damaging itself, the ceiling or other objects.

If damaged by water, driving rain, storms, etc. please have the fan checked by a licensed electrician or call ThreeSixty for expert advice.

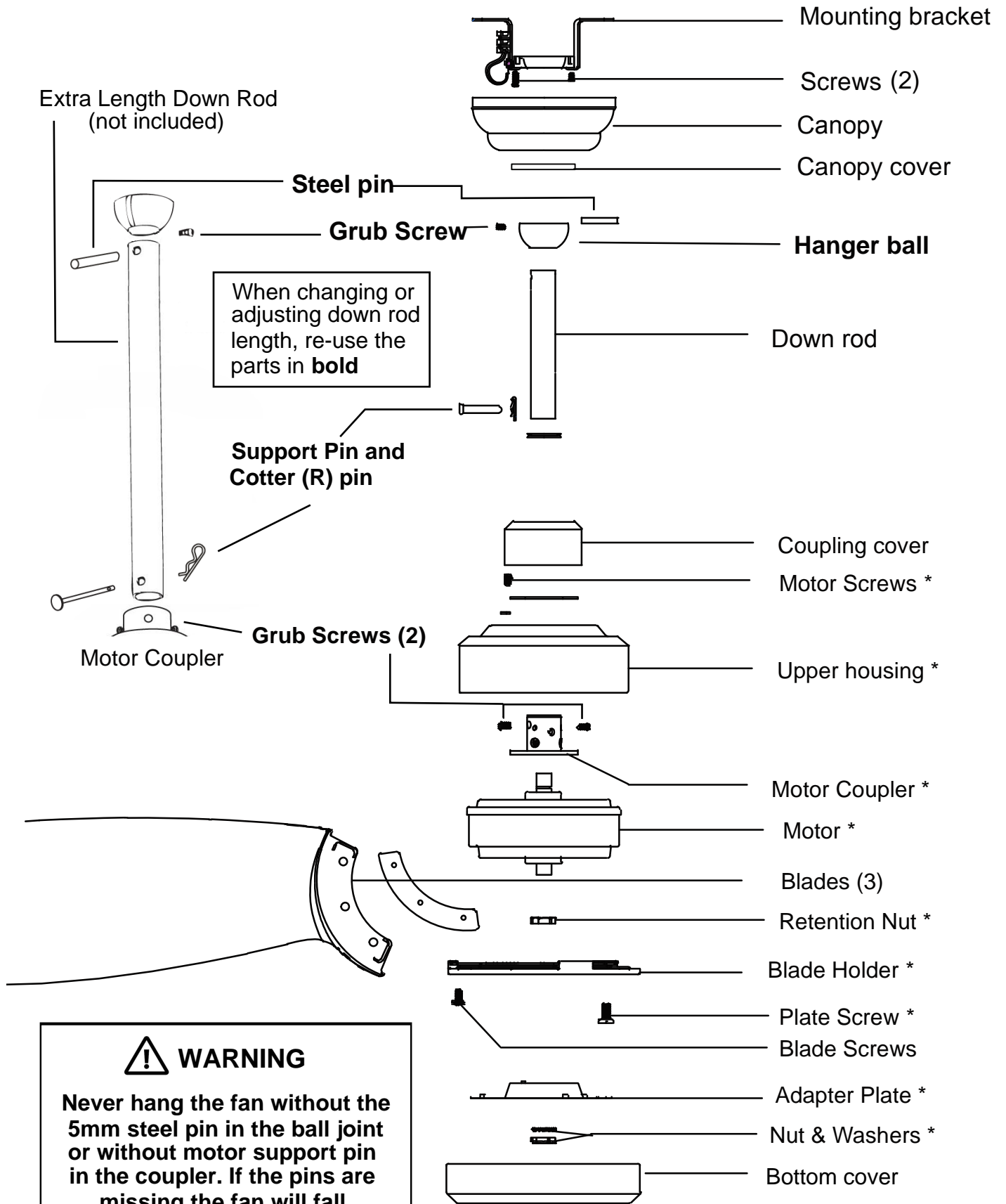


**ALL WIRING MUST BE DONE
BY A LICENSED ELECTRICIAN**

**ON-SITE WARRANTY MAY BE
VOIDED IF PROOF CANNOT
BE PROVIDED.**

Trinity

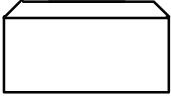
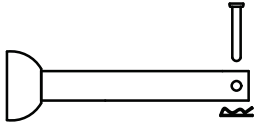
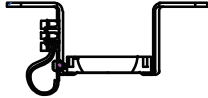
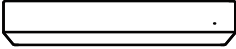
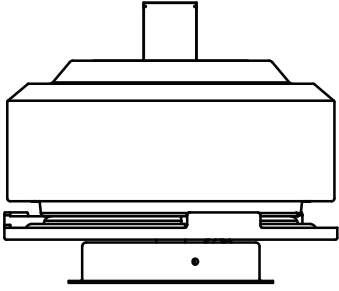


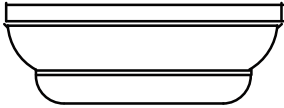
Exploded View Diagram & Parts



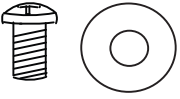
⚠ WARNING
 Never hang the fan without the 5mm steel pin in the ball joint or without motor support pin in the coupler. If the pins are missing the fan will fall.

*** Do not loosen or remove these parts**



Parts & Accessories

 <p>Coupling cover X 1</p>	 <p>Downrod Assembly x1</p>	 <p>Mounting bracket Assembly X1</p>
 <p>Bottom cover X 1</p>	 <p>Motor Assembly X 1</p>	 <p>Canopy cover X 1</p>
 <p>Blade X 3</p>		 <p>Ceiling Canopy X 1</p>

Assembly Kit

	
<p>Blade screw & Washer X 10</p>	

Control System Kit

 <p>Wall bracket</p>	 <p>Handset Transmitter</p> <p>Control Module</p>
--	--

* Images in this manual may slightly differ from the product.

The control module may vary from that shown but operation and installation are identical.

Tips for Energy Efficient Use of Ceiling Fans

Ceiling fan performance relies heavily on proper installation and use of the fan.

First, choose an appropriate mounting location. Fans with broad airflow should be located in the middle of a room. Fans with more intense, localised airflow should be located above or nearer to the area where the airflow is desired. Keep the blade tips at least 0.5m from walls and avoid placing fans in corners (or they may wobble).

Second, choose the best mounting height, allowing at least 2.1m from the floor. Mounting the fan too high will reduce its effectiveness. Different length rods are available.

Avoid being too close to air conditioning ducts and breezeways (these may cause the fan to wobble).

For cooling, the 'wind chill' effect of a breeze passing over skin provides direct cooling and the circulation of air helps reduce stuffiness and makes a room more comfortable.

During winter, a ceiling fan is an inexpensive way to reduce heating costs by forcing the layer of warm air that pools under the ceiling to spread out and mix with the cooler air below. Setting the fan to 'winter' or 'reverse' avoids the wind chill effect occurring directly beneath the fan.

Electrical and Structural Requirements

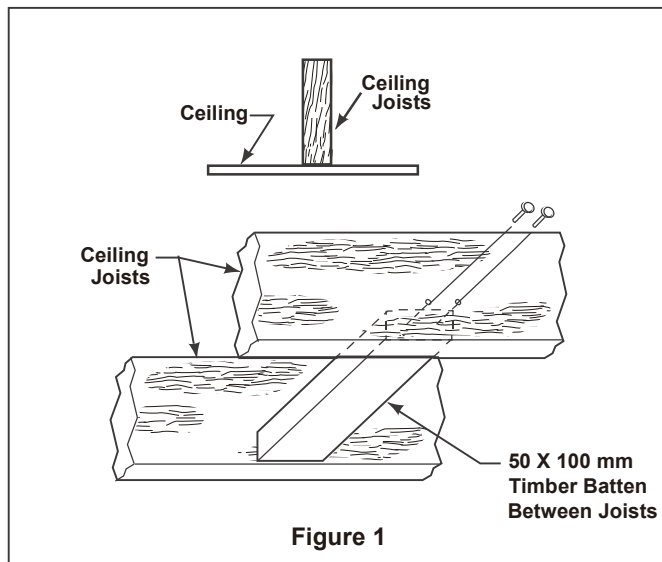
WARNING

Electrical work can only be done by a licensed electrician

WARNING

This fan requires an earthed circuit supplying 240V~ 50Hz

Always turn off power, isolate and tag the breaker before handling potentially live circuits.



Always verify the ceiling structure is sound and capable of supporting a dead weight of at least 27 Kgs. The mounting bracket must be screwed directly to the rafters or a ceiling fan mounting device that has been correctly installed. All screws holding the bracket to the ceiling must penetrate half their length into the structural member. Concrete anchors must be suitable for longitudinal loads and installed according to the manufacturer's directions.

Figure 1 is an example of adding a batten between rafters or joists to position a fan in a place where no suitable structure existed.

NOTE: The stability and strength of the ceiling structure will influence safety and long term user satisfaction. If the structure is weak, flexes or drums this will make the fan wobble, hum or even work loose.

WARNING

NEVER USE SCREWS WITH ANGLED OR COUNTERSINKING HEADS
THESE WILL DAMAGE THE BRACKET AND MAKE THE FAN WOBBLE.
ONLY USE PAN HEAD SCREWS OR ROOFING TYPE SCREWS

Hanging and Wiring

WARNING

This fan requires an earthed circuit supplying 240V~ 50Hz

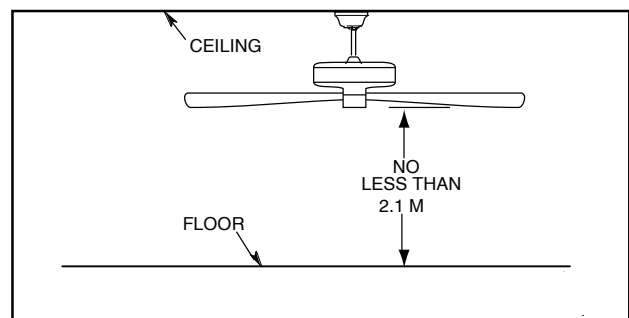
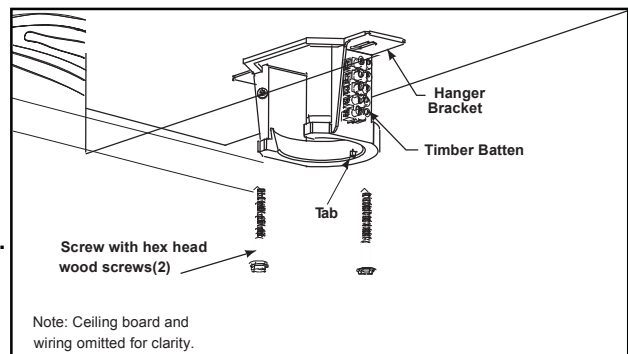
AS/NZS60335.2.1 states an all pole isolation switch must be fitted. The installer should verify what is required under the Wiring Rules.

Install circuit wiring. A single or double pole isolation switch is required (#check local regulations).

Mount the bracket using the supplied hardware. Never use angled head screws, only use pan head or roofing screws.

Assemble the fan using the instructions on the following pages, hang it and verify the floor to blade height is not less than 2.1m

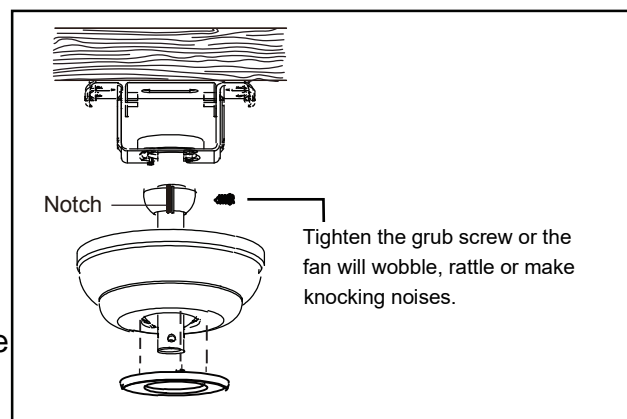
When the ball is fitted to the down rod, make sure the 5mm diameter steel pin is in place and the grub screw is tight. The steel pin supports the mass of the fan and the grub screw stops the rod wobbling in the ball joint.



WARNING

Never hang the fan without the 5mm steel pin in the ball joint. If the pin is missing the fan will fall.

When hanging the fan, make sure the tab in the bracket locks into the notch in the ball. This stops the fan motor and ball joint spinning in the bracket. If the tab & notch are not locked the wiring and bracket can be damaged.



An isolation switch must be installed between the electricity supply and control module.

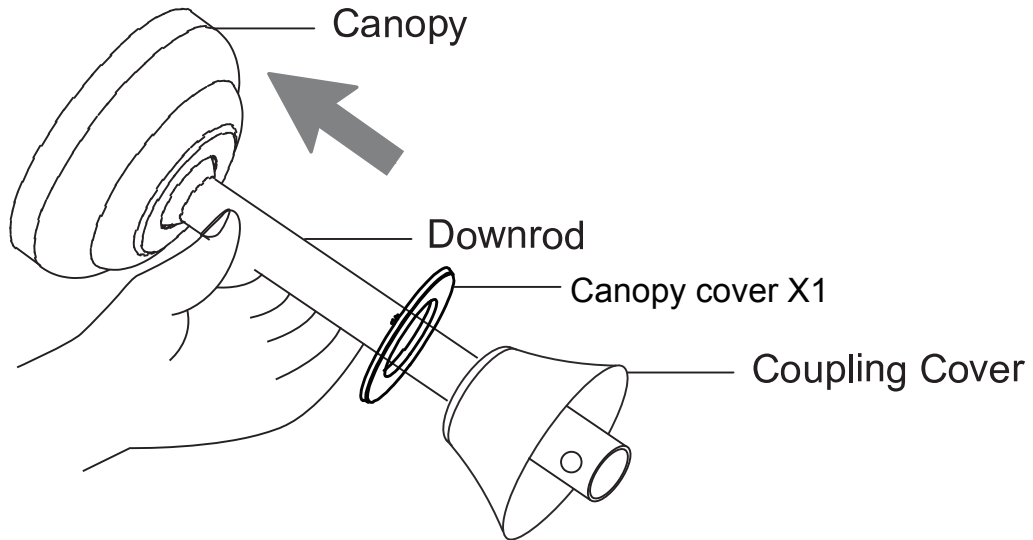
If the fan is installed without an isolating switch it won't be possible to remove power for maintenance or in case of a fault or to protect it from lightning or surges.

On-site warranty calls caused by installation without an isolating switch may be charged for and/or make re-programming replacement handsets difficult.

Assembly

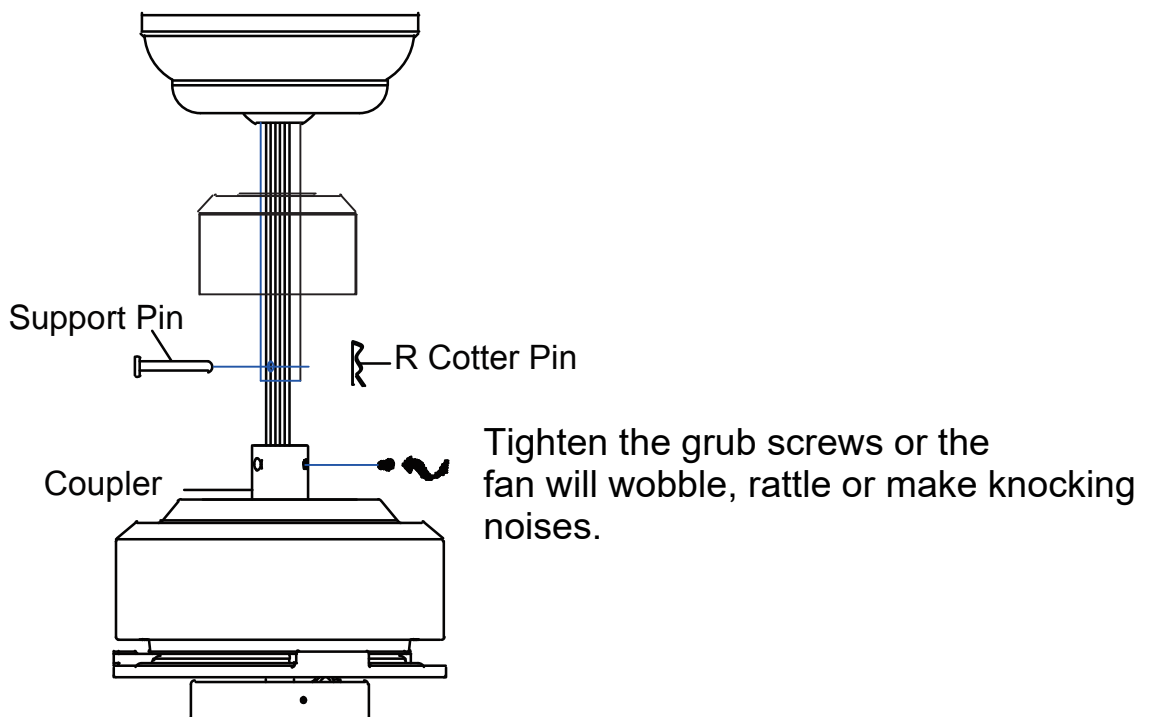
ENSURE THE ELECTRICITY IS TURNED OFF AT THE MAIN SWITCHBOARD OR CIRCUIT BREAKER.

Step 1 - Assemble the canopy, canopy cover and coupling cover through the downrod.



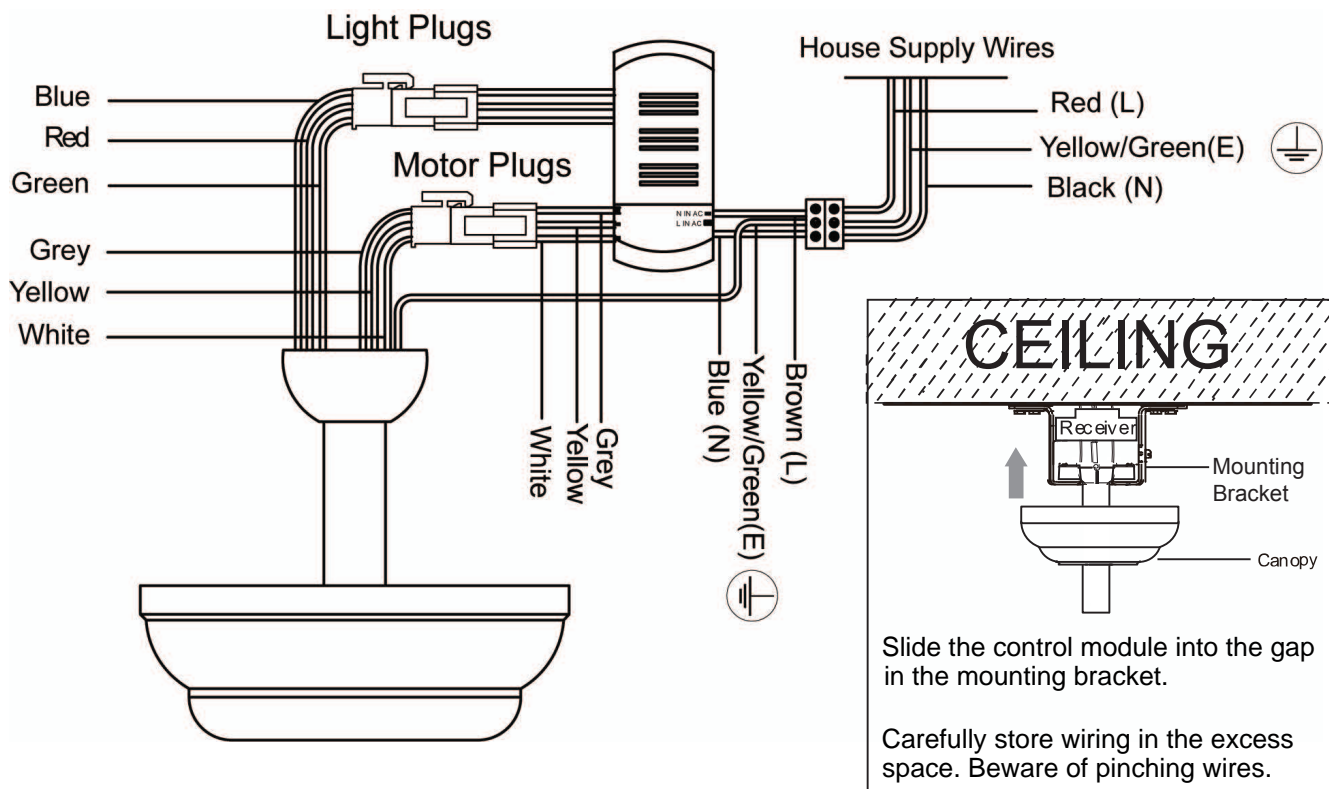
Step 2 - Route all the wires from the motor through the down rod. Fit the down rod into the shaft coupler, align the pin holes and pass the motor support pin through the coupler and down rod. Secure the motor support pin with the R shaped cotter pin.

Next tighten the two grub screws and check there is no movement of the down rod in the coupler.

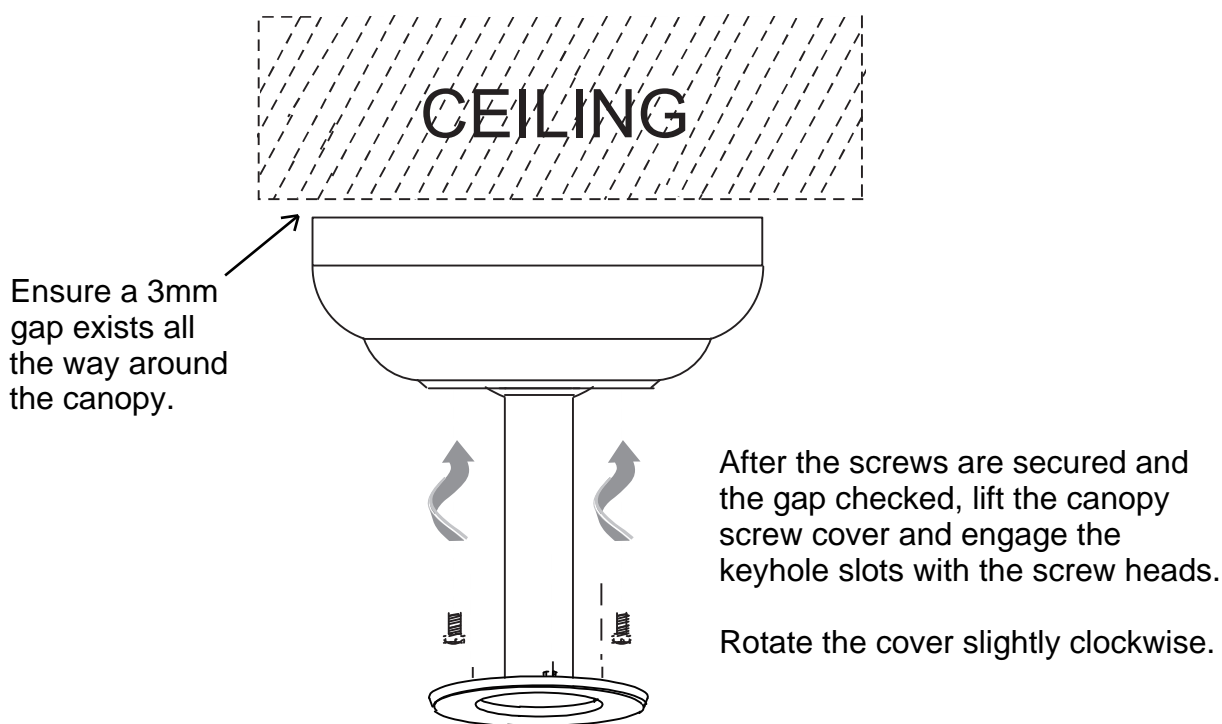


Assembly

Step 4 - Hang fan from bracket, connect motor plug to the control module, connect light plug to the control module and connect the control module to the incoming power supply. Fit the control module into the recess in the mounting bracket. Tuck and route wires carefully to avoid pinching.



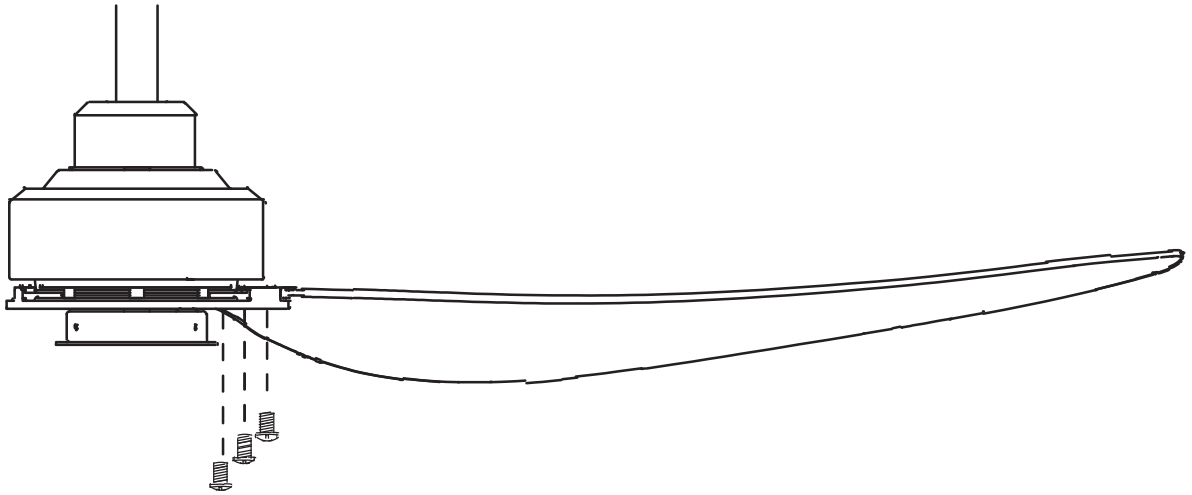
Step 5 - Fit the ceiling canopy by fastening the 2 screws. The canopy should NOT touch the ceiling. If it does touch the ceiling a shim may be needed between the bracket and ceiling. Unevenness in the ceiling panels may cause touching at one or more places (creates noise).



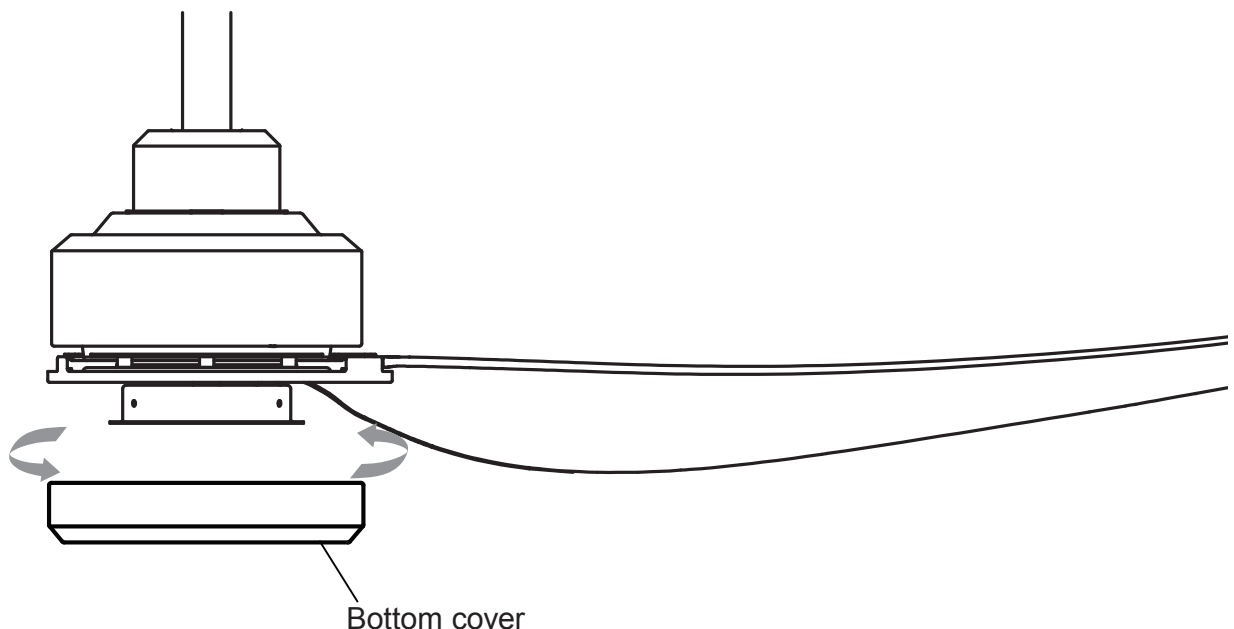
Blade Assembly

Step 6 - Align the 3 holes on the blade holder, blade and screw on the screws and washers provided.

Although the blades can be attached with the fan motor sitting on a surface, to avoid damage it is recommended to attach them after the motor is hung.

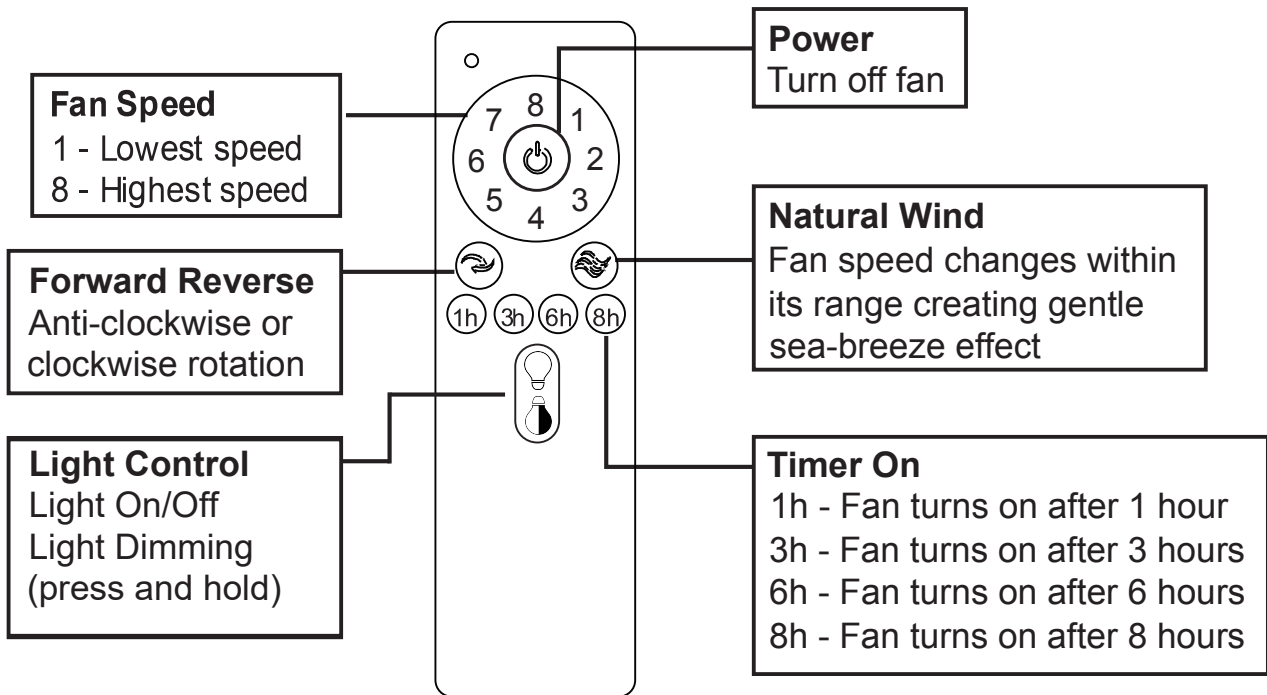


Step 7 - Install the bottom cover by aligning it with the adapter and twist to lock. Tighten the cover so it is firm and without movement. Do not over-tighten.



Operating Instruction

1. Remote control (Transmitter)



Light Colour Temperature: To change the light colour temperature (when light kit is installed), turn the light off and within 1 second turn the light back on. This will cycle through the colour temperature profiles: Warm (3000K), Natural (4500K) and Daylight (6000K).

The handset and control module are pre-programmed. If however they don't function together when first installed, or you wish to control 2 fans using 1 handset, or pair a replacement handset to your existing fan, use the following procedure.

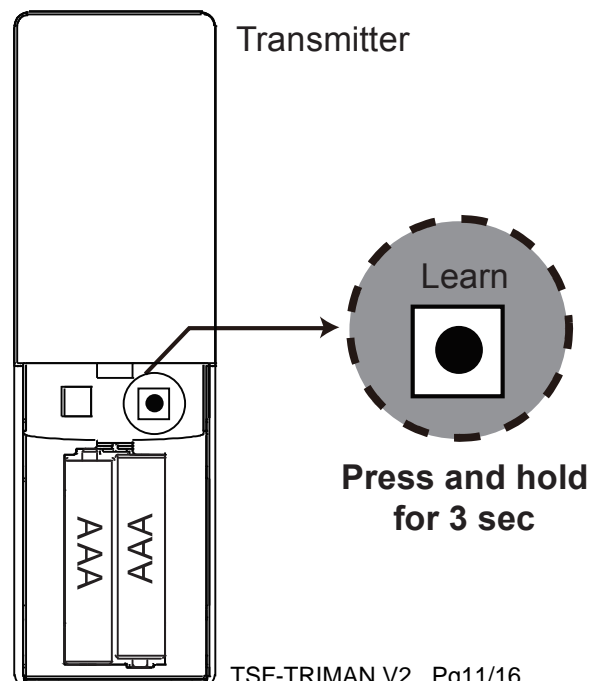
DO NOT PRESS ANY OTHER BUTTONS DURING THIS PROCESS

Turn off power at isolating switch for 1 min.

Turn on power to fan.

Within 30 sec, press and hold "LEARN" button for 3 sec.

Once receiver has detected the signal it will beep twice ("Beep Beep") and the programming procedure is complete.



Maintenance

Switch off power at the isolating switch before cleaning or removing any part of the fan.

A ceiling fan has moving parts and this can cause some joints to work loose over a period of time. It is recommended to check blade screws and other parts remain tight every 6 months.

Cleaning

ThreeSixty recommends cleaning your fan at 3 monthly intervals. Use warm water and soft non-abrasive cloths to remove dirt. Drying with a separate clean cloth will prevent smears.

Never use solvents or spray cleaners. Stubborn dirt such as bug deposits can be removed using warm water dabbed onto the spot.

Outdoor fans

Fans mounted outdoors will be subject to condensation and dirt suspended in the outside air. More frequent cleaning will be required.

Never spray water onto a fan and protect it from rain, wind and other damage.



If a fan blade shows signs of cracking, crazing, excessive bending or damage, discontinue use and contact ThreeSixty for expert technical assistance.



WARNING - LIGHTNING AND SURGE DAMAGE

DC motor powered, remote control fans contain sensitive electronics.

To avoid damage from lightning and power surges turn off the isolating switch when the fan is unattended or storms are about.

Damage due to power surges or lightning is not covered by warranty.

ThreeSixty Fans Pty. Ltd. – Plain English Ceiling Fan Warranty Terms

SHOULD THERE BE ANY INSTALLATION ISSUES OR DEFECTS PLEASE CALL OUR SUPPORT HELP LINE ON 1300 469 326 IMMEDIATELY FOR ASSISTANCE AND ADVICE. DO NOT ATTEMPT TO UNINSTALL OR REMOVE THE PRODUCT FROM THE CEILING UNLESS SPECIFICALLY ADVISED TO BY THREESIXTY FANS.

Our goods come with guarantees that cannot be excluded under the Australian Consumer Law. You are entitled to a refund or replacement for a major failure and for compensation for any other reasonably foreseeable loss or damage. You are also entitled to have the goods repaired or replaced if the goods fail to be of acceptable quality and the failure does not amount to a major failure.

Mechanical and Structural Components

Your ThreeSixty Product is covered against mechanical and structural defects that prevent it from working by a limited 36 month on-site warranty. This warranty covers only the product itself and excludes workmanship or materials related to its installation or any modifications. A major failure may be, for example, a motor defect preventing a product from operating shortly after it was first installed or if it was damaged while in the original packaging. If the product stops working due to a mechanical or structural defect within the first 36 months we will repair or replace the product at our discretion.

Electronic Components

Your ThreeSixty Product is covered against electronic defects that prevent it from working by a limited 12 month on-site warranty. This warranty covers only the electronics supplied with the product and excludes workmanship or materials related to its installation or any modifications. A major failure may be, for example, a power module that failed shortly after it was first installed or if it was damaged while in the original packaging. If the product stops working due to an electronic defect within the first 12 months we will repair or replace the electronic part at our discretion.

Compensation for reasonably foreseeable loss

Compensation normally comprises us paying associated labour costs to replace the defective product if it's installed within a reasonable distance from our repair agent. If beyond a reasonable distance (30km) you can arrange your own electrician and we will compensate you for this up to a maximum of \$115.50 inc GST. Note, we do not pay extra for extended travelling time or additional costs when the job requires a longer than average time to complete.

To prevent or limit costs you may incur for service calls, you must notify us of the intention to use your own contractor and not engage one until we have spoken to them (to arrange parts that may be required). ***If the problem is not a defect covered by our warranty terms you will have to pay all costs.*** To reduce cost and inconvenience for all involved we will do our best to diagnose the fault and supply parts before the contractor visits the site.

Eligibility for In-Home Service Calls

Hard wired electrical products must (by law) be installed by a licensed electrician. To obtain in-home warranty service **you must be able to provide a copy of the installing electricians invoice or the Certificate of Compliance given to you when the product was first wired up and tested.** If you cannot provide this information we limit our warranty to repair or replacement of the product at our workshop and you will bear the costs of removal, shipping to us and reinstallation. We will pay the freight to send the rectified unit back to you.

Access to products

Products installed on ceilings 4m and above may require special access equipment or WH&S measures. All costs for this equipment must be borne by the site owner and the ceiling height given when booking a service call. If a service agent chooses not to access a product installed at height due to WH&S concerns the owner must remove and reinstall the product at their own expense.

Isolation Switches

Australian Standards require our instructions to state an isolation switch must be fitted. This allows the product to be physically switched off in case of faults or to prevent damage from surges, lightning, etc. Emergency disconnection and/or remote control re-programming that can't be performed due to lack of an isolation switch is not covered by warranty.

Commencement

The warranty period begins from date of purchase and in-home warranty service is available only at the site of original installation. If the product is installed as part of a project or development the warranty period commences when the product was delivered to the site.

Damage

Damage from Force Majeure, electrical surges, wind, rain, lightning, power grid fluctuations, water ingress, condensation or use with incompatible power sources will not be rectified under warranty. Likewise solid state or dimmer type speed controls may damage ceiling fans or cause them to make unusual noises. Genuine parts and advice are available through our online and telephone support services.

ThreeSixty Fans Pty. Ltd. – Plain English Ceiling Fan Warranty Terms

Cosmetic defects

Carefully inspect your product prior to installation and notify us as soon as possible if there are cosmetic defects. Cosmetic defects are generally not covered by warranty unless present when the product is initially unpacked. Damage from being struck by objects or not being kept clean is not covered by warranty.

Corrosion

Deterioration of finishes, including rusting, pitting, corrosion, fading, tarnishing or peeling is not covered by warranty beyond six months. Products specified as corrosion resistant or made from Stainless Steel are not corrosion proof and will discolour or deteriorate if not cleaned. As a guide, maintain your product as you would your kitchen appliances (clean every 3 months).

Noise

Signals sent through the power grid by the electricity supplier may cause intermittent noises in your product. These noises are not the result of a fault and filters to reduce this noise may be available at additional expense.

Clicking, ticking and creaking noises from fans are usually caused by the mounting bracket not being correctly attached or when blades screws are loose. Only use the hardware provided to install ceiling fans. If the mounting bracket is attached using counter-sunk screws it will work loose and cause unwanted noise and movement in your fan. Wooden bladed fans may need their blade screws periodically tightened. Unless a product is defective noise will not be rectified under warranty.

Wobbling

Wobbling is generally not caused by a defective fan but by air currents in the room. After a fan has been running for a long period it will cause air currents to form and, depending on the shape of the room and its furnishings, the air returning to the fan may be uneven.

Improper mounting will also cause a fan to wobble. Every mounting bracket screw must be secured to solid materials in the ceiling. Metal C section rafters may need to be doubled to form a box section to prevent flexing. Foam sandwich ceiling panels will require reinforcing to stop flexing. Unless a product is defective wobbling will not be rectified under warranty

Airflow

The amount of airflow produced by a fan is dependent on where it's installed because room shape, mounting height and furnishings will affect the perceived air movement. A product is deemed to be functioning normally if it is running within 15% of the specified RPM when installed.

Installation Records – we will ask for this information when diagnosing a problem

Purchase Date: _____

Seller Name: _____

Product Model: _____

Installed by: _____

License/Certificate No: _____

Phone numbers: _____

Light type and model: _____

Remote control type: _____

Height of Fan and Ceiling: Fan: _____ (at blades) Ceiling: _____ (in metres)

RCD Details:

- One RCD covers whole installation
- Separate RCDs for power and lighting
- No RCD fitted on fan or lighting circuit

Circuit breaker numbers: _____

Circuit Type: Lighting / Power

Records, Notes and Comments

Use this section to record important information about your fan.

ThreeSixty Technical Support and Warranty Hotline: 1300 4 MYFAN (1300 469 326)

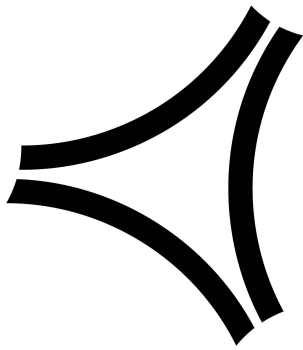
Date of Purchase: _____

Purchased from: _____

Installed By: _____

Phone Number: _____

Staple receipts, electricians invoice or compliance certificate below:



ThreeSixty

C E I L I N G F A N S



WARNING - LIGHTNING AND SURGE DAMAGE

Electric appliances contain sensitive electronics.

To avoid damage from lightning and power surges turn off the isolating switch when the fan is unattended or storms are about.

Damage due to power surges or lightning is not covered by warranty.